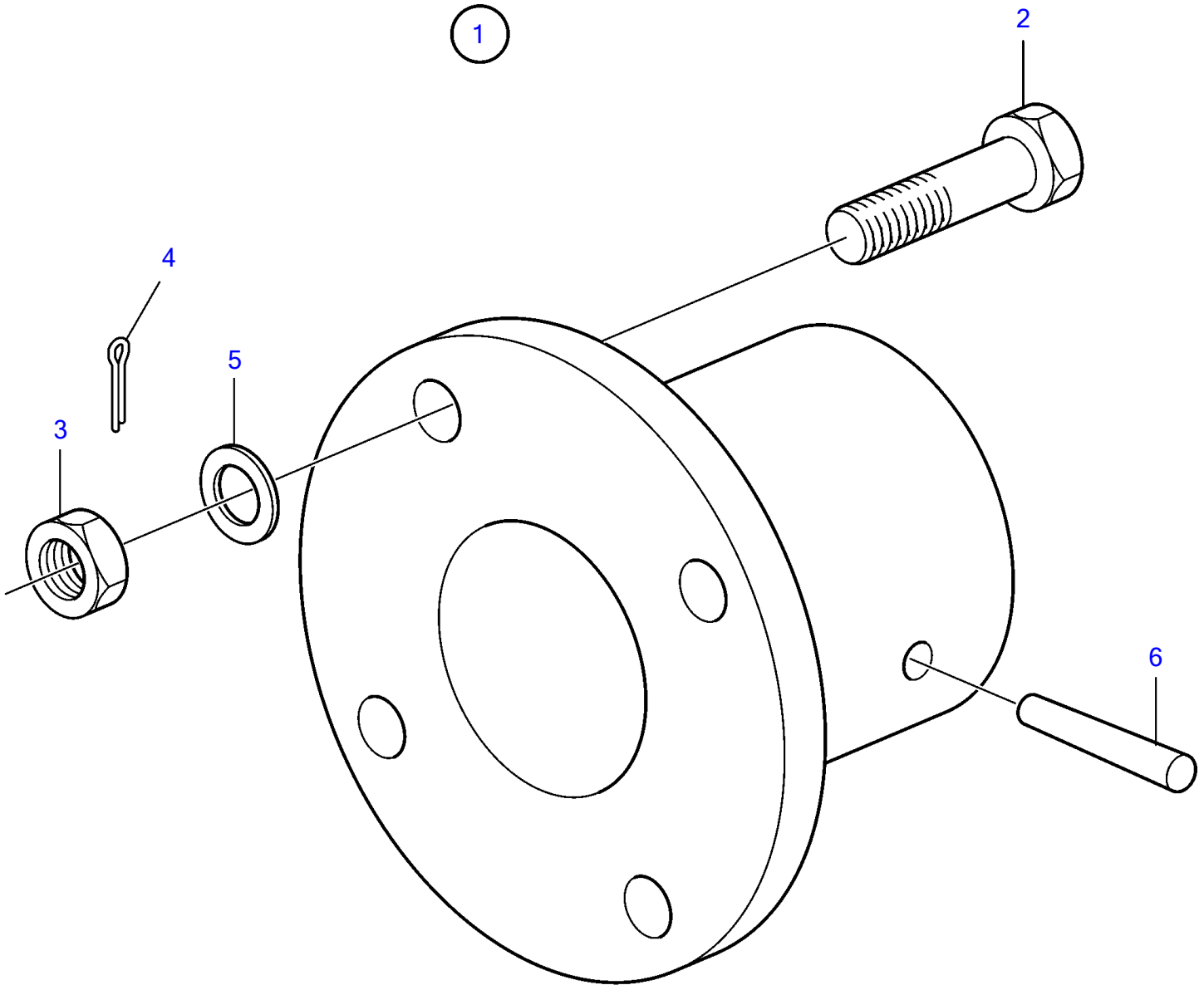


TMD41A, TMD41B, D41A, D41B, TAMD41A, TAMD41B, AQAD41A, AD41A, AD41B



4624

TMD41A, TMD41B, D41A, D41B, TAMD41A, TAMD41B, AQAD41A, AD41A, AD41B

REF	PART NO.	QTY	DESCRIPTION	NOTES
1	819105	1	Clutch flange	For shaft diam. 45mm.
2	955692	4	• Hexagon screw	Use together with plate 955883 and cotter pin 907834, Early type L=32mm
	955693	4	• Hexagon screw	Use together with lock plate 950375, Late type L=38mm
	955691	4	• Hexagon screw	L=25mm
3	955883	4	• Castle nut	Use together with screw 955692 and cotter pin 907834, Early type
	950375	4	• Lock nut	Use together with screw 955693, Late type
4	907834	4	• Split pin	Use together with screw 955692 and plate 955883, Early type
5	941909	4	• Spring washer	
6	907617	1	• Taper pin	