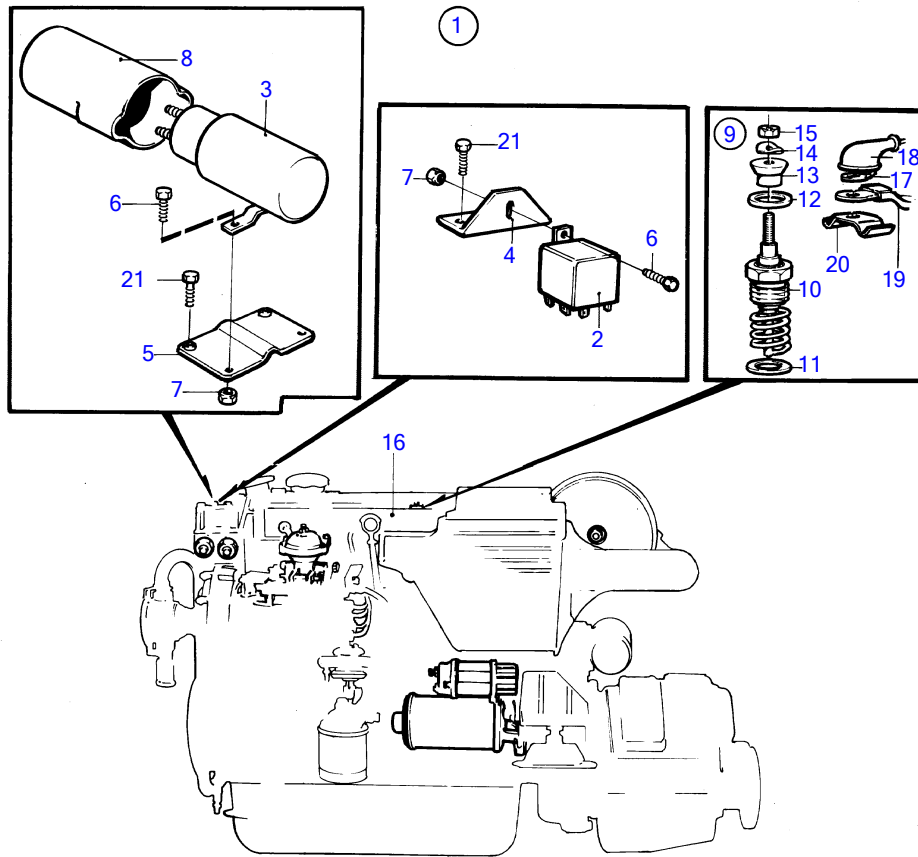


TMD41A, D41A, TAMD41A, AQAD41A, AD41A



9162

## TMD41A, D41A, TAMD41A, AQAD41A, AD41A

| REF | PART NO. | QTY | DESCRIPTION            | NOTES   |
|-----|----------|-----|------------------------|---|
| 1   | (860322) | 1   | Conversion kit         | From 0 to 2 glowplugs., For TMD41A, D41A, TAMD41A,AQAD41A,AD41A, 12V, Obsolete part<br>(859327)<br>Repl by 859676 |
| 2   | 846762   | 1   | • Relay                | Early type  |
|     | 860339   | 1   | • Relay                | Late type   |
| 4   | 858937   | 1   | • Bracket              |   |
| 6   | 965175   | 1   | • Flange screw         | For 846762  |
|     | 965199   | 1   | • Flange screw         | For 860339  |
| 7   | 949278   | 1   | • Flange lock nut      | For 846762  |
|     | 965483   | 1   | • Flange nut           | For 860339  |
| 9   | 876132   | 1   | • Glow plug            |   |
| 10  | 3581635  | 2   | • • Glow plug          |   |
| 11  | 859211   | 1   | • • Sealing ring       |   |
| 12  |          | 1   | • • o-ring             | Not to be used where contact plate 860044 shall be used   |
| 13  | 859328   | 1   | • • Thrust sleeve      |   |
| 14  | 941905   | 1   | • • Spring washer      |   |
| 15  | 965483   | 1   | • • Flange nut         |   |
| 16  | 859300   | 1   | • Inlet pipe           |   |
|     |          | X   | • • components         | See group 2B  |
| 17  |          | X   | • cables and terminals | Alt. see group 3  |
| 18  | 673580   | X   | • Adapter              |   |
| 19  | 859450   | 1   | • Rail                 | Alt.  |
| 20  | 860044   | 1   | • Switch brace         | Alt.  |
| 21  |          | 2   | screw                  | See group 2B  |