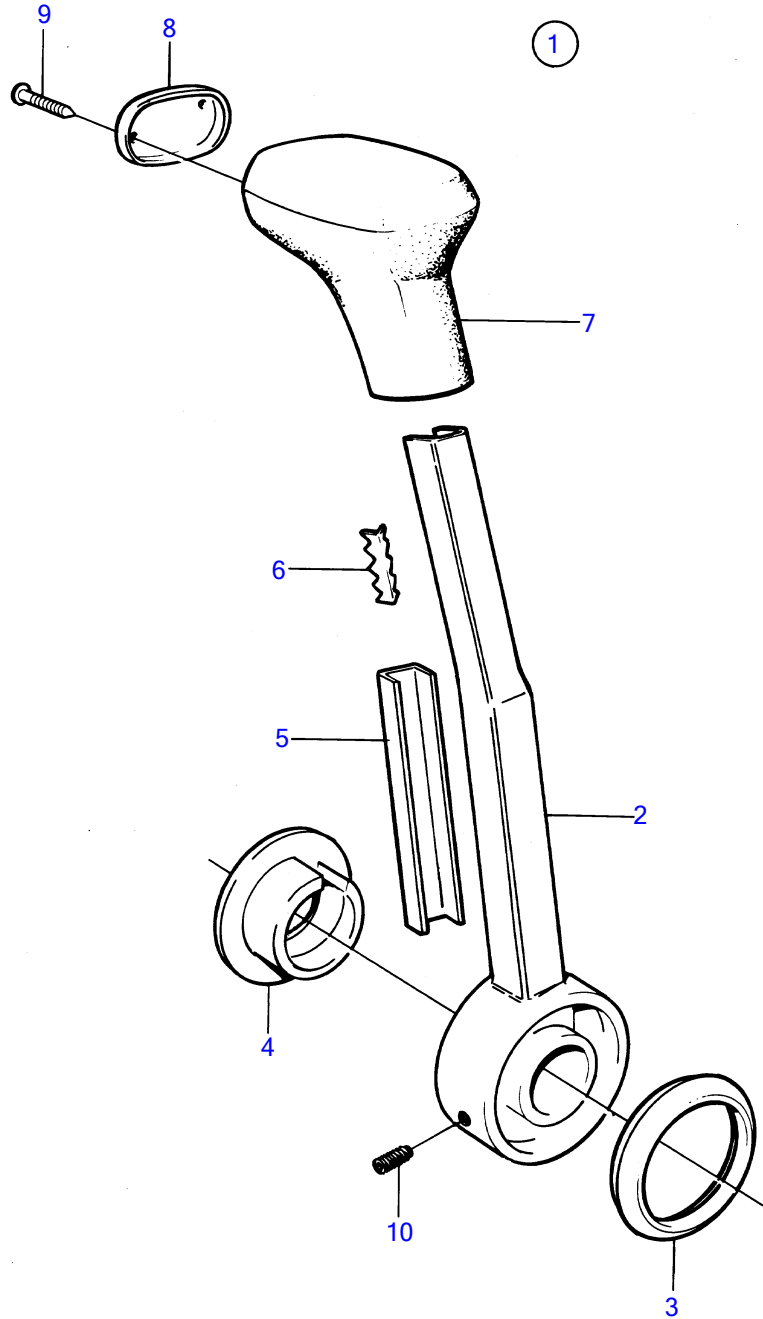


TMD41A, TMD41B, D41A, D41B, TAMD41A, TAMD41B, AQAD41A, AD41A, AD41B



8689

TMD41A, TMD41B, D41A, D41B, TAMD41A, TAMD41B, AQAD41A, AD41A, AD41B

| REF | PART NO. | QTY | DESCRIPTION | NOTES |
|-----|----------|-----|---------------------|---------------|
| 1 | 852347 | 1 | Hand lever | |
| 2 | (852988) | 1 | • Lever | Obsolete part |
| 3 | 852995 | 1 | • Ring | |
| 4 | 852996 | 1 | • Support ring | |
| 5 | 852991 | 1 | • Rail | |
| 6 | 853000 | 1 | • Striker plate | |
| 7 | 852989 | 1 | • Handle | |
| 8 | 852992 | 1 | • Cover | |
| 9 | 853003 | 2 | • Nail | |
| 10 | 963678 | 1 | • Hex. socket screw | |