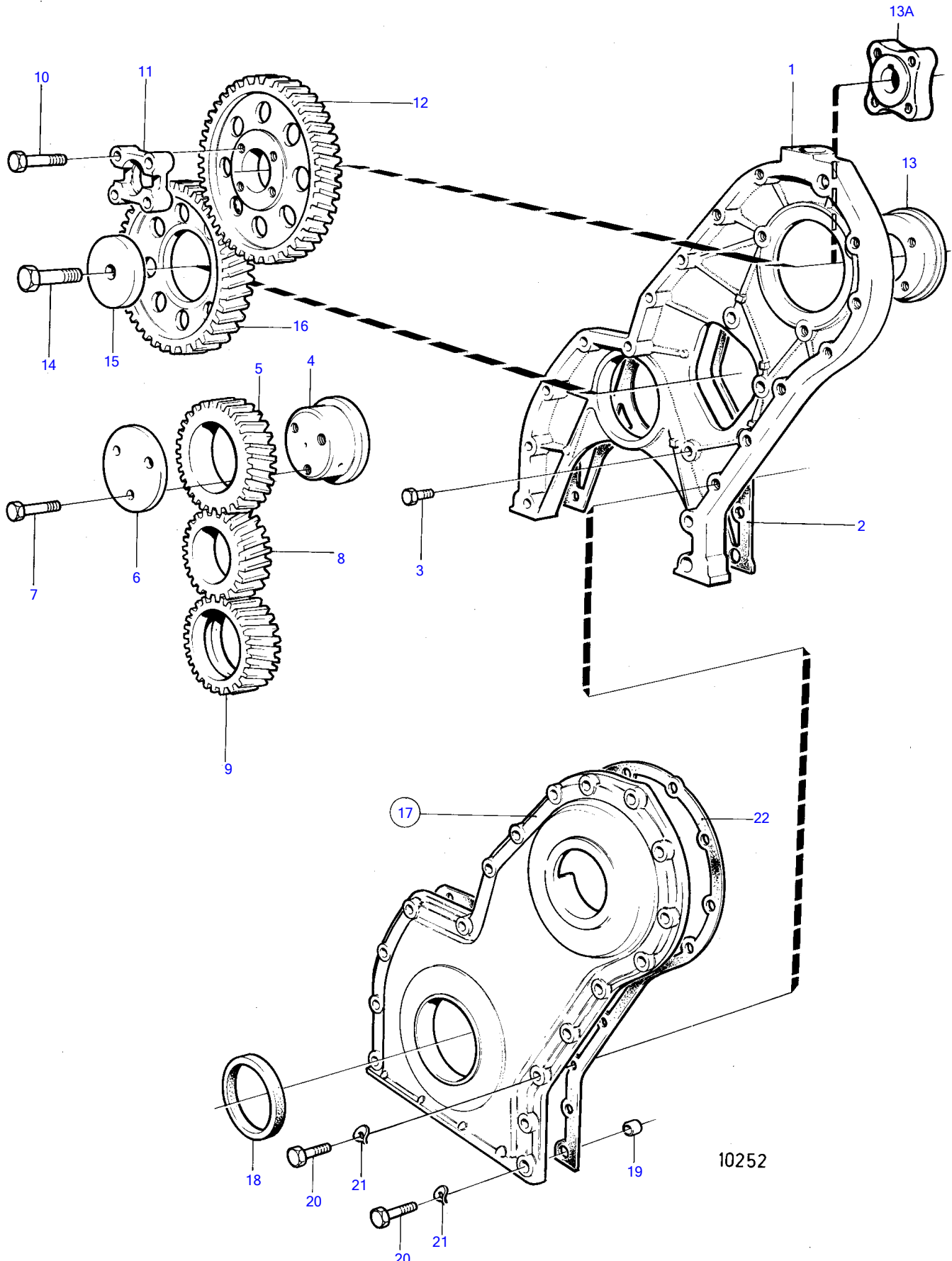


TMD41A, TAMD41A



## TMD41A, TAM41A

REF	PART NO.	QTY	DESCRIPTION	SEE SEC.	NOTES
1	838655	1	Timing gear casing		
2	859039	1	Gasket		(1542219)
3	946173	3	Flange screw		L=20mm
	946671	1	Flange screw		L=30mm
4	838997	1	Bearing spindle		
5	1542061	1	Gear		
6	1542065	1	Thrust washer		
7	965180	3	Flange screw		
8	1542305	1	Gear	19417	
9	1542215	1	Oil pump wheel		
10	955299	4	Hexagon screw		
11	829523	1	Companion flange		
12	838657	1	Gear		
13	838676	1	Hub		Repl by 859601
13A	859601	1	Hub		
14	965193	1	Flange screw	19421	
15	1542223	1	Washer	19421	
16	1542034	1	Gear	19421	
17	843086	1	Cover		Replaced by 842991
	842991	1	• Cover		
18	1542318	1	• Sealing ring		
19	415311	2	• Guide sleeve		
20	946470	7	Flange screw		L=35mm
	948217	1	Flange screw		L=45mm
	965179	1	Flange screw		L=50mm
	965180	1	Flange screw		L=60mm
	965181	5	Flange screw		L=70mm
	965182	2	Flange screw		L=80mm
	100222	1	Hexagon screw		L=85mm
21	941907	13	Spring washer		
22	859038	1	Gasket		