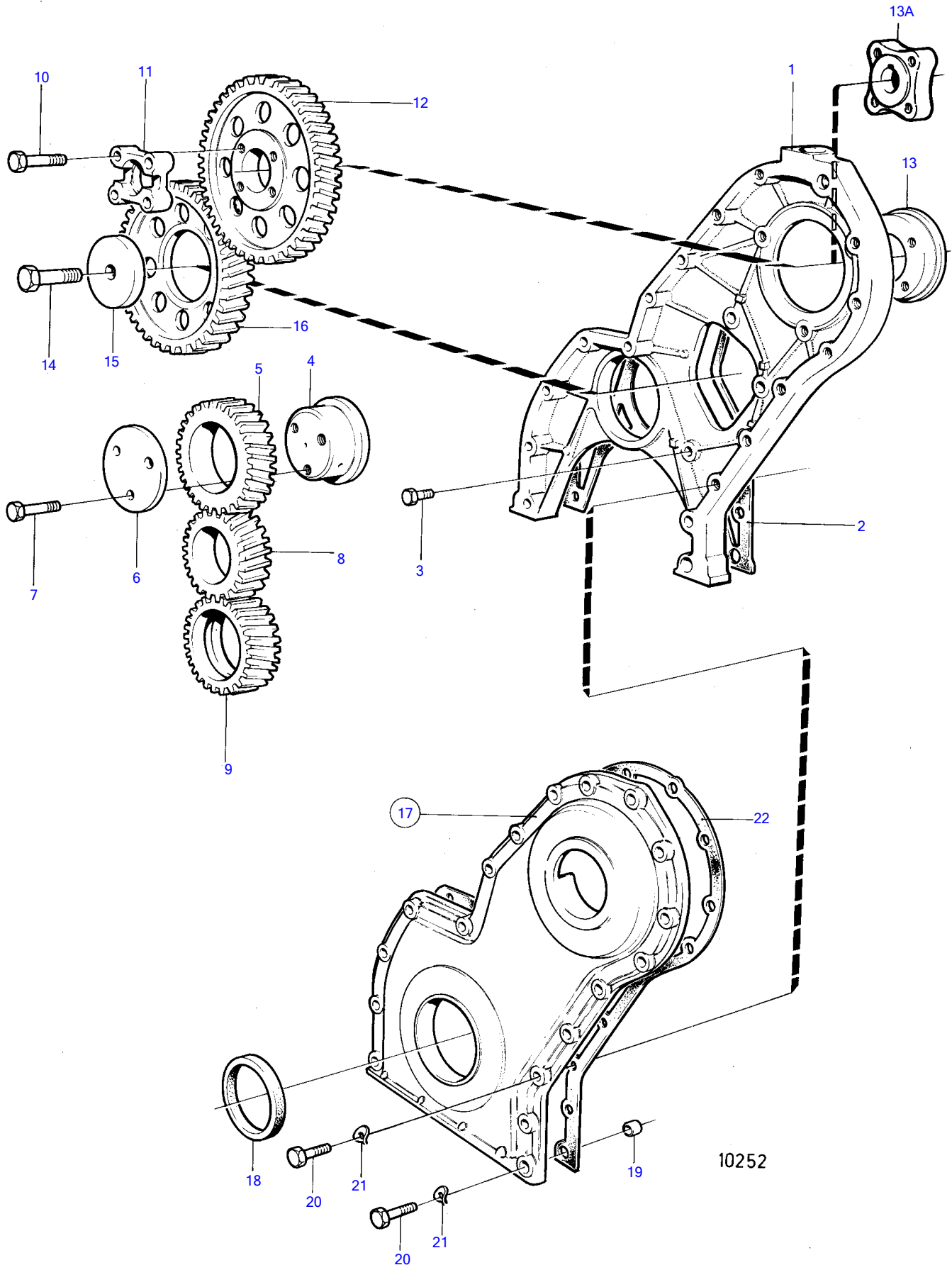


TMD41A, TAMD41A



10252

TMD41A, TAM41A

| REF | PART NO. | QTY | DESCRIPTION | SEE SEC. | NOTES |
|-----|----------|-----|--------------------|----------|--------------------|
| 1 | 838655 | 1 | Timing gear casing | | |
| 2 | 859039 | 1 | Gasket | | (1542219) |
| 3 | 946173 | 3 | Flange screw | | L=20mm |
| | 946671 | 1 | Flange screw | | L=30mm |
| 4 | 838997 | 1 | Bearing spindle | | |
| 5 | 1542061 | 1 | Gear | | |
| 6 | 1542065 | 1 | Thrust washer | | |
| 7 | 965180 | 3 | Flange screw | | |
| 8 | 1542305 | 1 | Gear | 19417 | |
| 9 | 1542215 | 1 | Oil pump wheel | | |
| 10 | 955299 | 4 | Hexagon screw | | |
| 11 | 829523 | 1 | Companion flange | | |
| 12 | 838657 | 1 | Gear | | |
| 13 | 838676 | 1 | Hub | | Repl by 859601 |
| 13A | 859601 | 1 | Hub | | |
| 14 | 965193 | 1 | Flange screw | 19421 | |
| 15 | 1542223 | 1 | Washer | 19421 | |
| 16 | 1542034 | 1 | Gear | 19421 | |
| 17 | 843086 | 1 | Cover | | Replaced by 842991 |
| | 842991 | 1 | • Cover | | |
| 18 | 1542318 | 1 | • Sealing ring | | |
| 19 | 415311 | 2 | • Guide sleeve | | |
| 20 | 946470 | 7 | Flange screw | | L=35mm |
| | 948217 | 1 | Flange screw | | L=45mm |
| | 965179 | 1 | Flange screw | | L=50mm |
| | 965180 | 1 | Flange screw | | L=60mm |
| | 965181 | 5 | Flange screw | | L=70mm |
| | 965182 | 2 | Flange screw | | L=80mm |
| | 100222 | 1 | Hexagon screw | | L=85mm |
| 21 | 941907 | 13 | Spring washer | | |
| 22 | 859038 | 1 | Gasket | | |