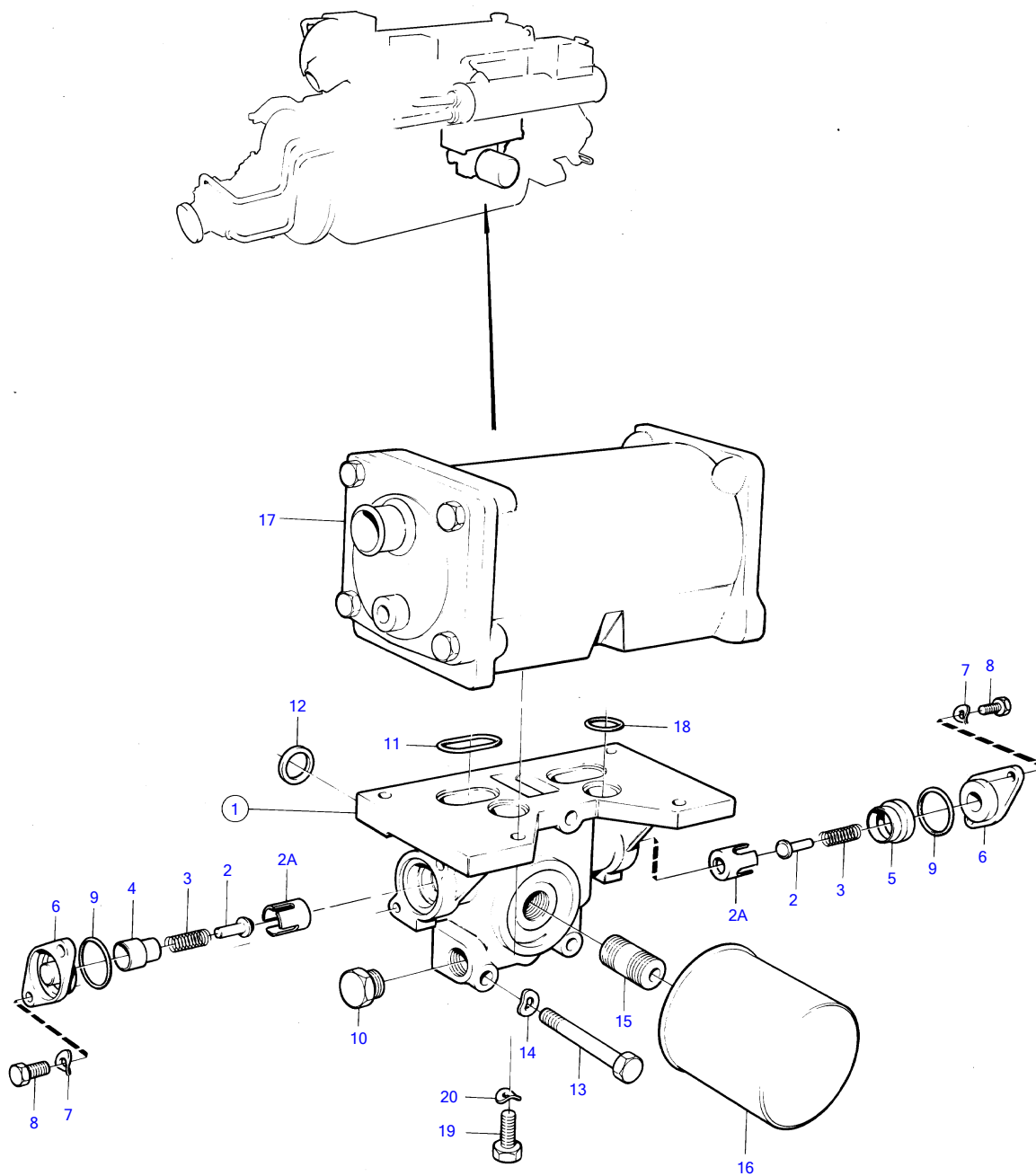


TMD41A, D41A, TAMD41A, AQAD41A, AD41A



8011

TMD41A, D41A, TAMD41A, AQAD41A, AD41A

REF	PART NO.	QTY	DESCRIPTION	NOTES
1	860608	1	Housing	
2	471085	2	• Valve cone	
2A	1542265	2	• Valve seat	
3	468087	2	• Spring	
4	1542268	1	• Sleeve	
5	1542266	1	• Sleeve	
6	1542267	2	• Cover	
7	941906	4	• Spring washer	Early type
8	955271	4	• Hexagon screw	Early type
	946544	4	• Flange screw	Late type
9	925065	2	• O-ring	
10	952077	1	• Plug	
11	859086	2	Sealing ring	
12	469483	4	Sealing ring	
13	965182	3	Flange screw	
14	941907	3	Spring washer	
15	423067	1	Nipple	
16	471034	1	Oil filter	
17		1	oil cooler	See group 2B
18	469483	2	Sealing ring	
19	946671	4	Flange screw	
20	941907	4	Spring washer	

7745630-21-19435

8011

Upd:2011-09-27