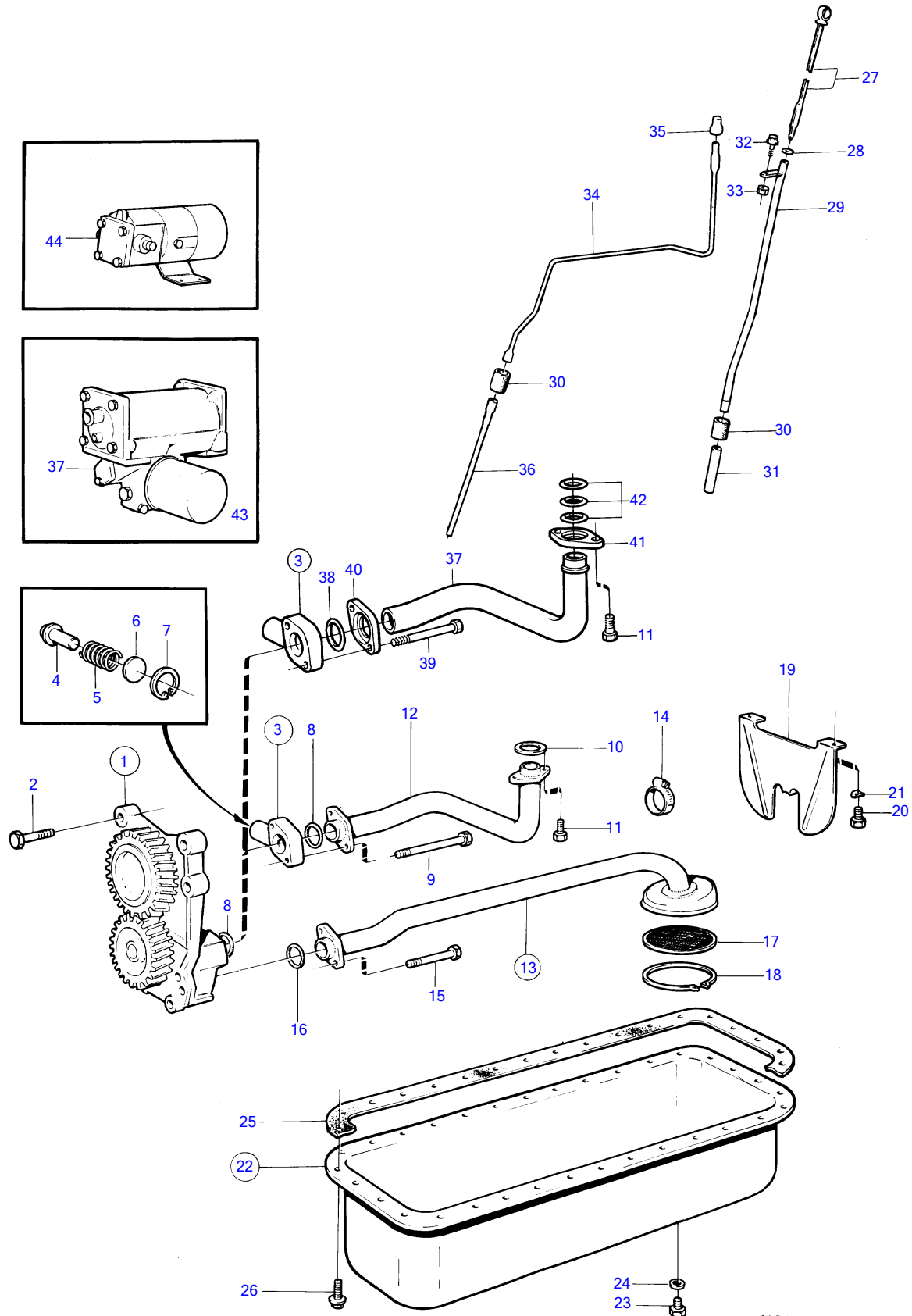


TMD41B, D41B, TAMD41B, AD41B



TMD41B, D41B, TAMD41B, AD41B

REF	PART NO.	QTY	DESCRIPTION	SEE SEC.	NOTES
1	1542210	1	Oil pump		
			•	19434	
	860721	1	Oil pump		SN2204139291-
			•	19434	
2	948217	4	Flange screw		
3	1542255	1	Reduction valve		Only for pipe 1542385, Repl by 860790
	860790	1	Reduction valve		
			Bulletin 44-32	44-32-EN	Reduction Valve D31, 41, 42
			Bulletin 44-32A	44-32A-EN	Reduction Valve D31, 41, 42
4	471115	1	• Reduction valve		
5	1542257	1	• Spring		
6	948343	1	• Disc		
7	914506	1	• Snap ring		
8	469482	2	Sealing ring		
9	965183	2	Flange screw		
10	1542385	2	Sealing ring		
11	946173	2	Flange screw		
12	1542383	1	Pressure pipe		Replaced by 1ea pipe 860821, 1ea relief valve 860790, 1ea seal ring 1545271, 2ea screw 965184, 1ea flange 1545272, 1ea flange 1542248 and 3ea seal ring 1542385., SN-2204141509
13	829491	1	Suction pipe		
14	943473	1	• Hose clamp		
15	965217	2	Flange screw		
16	949657	1	O-ring		
17	403483	1	Wire gauze		
18	118123	1	Snap ring		
19	829492	1	Baffle plate		
20	944926	2	Flange screw		
21	942385	2	Disc spring		
22	844909	1	Oil sump		
23	948187	1	• Plug		
24	18818	1	• Gasket		
25	860685	1	Gasket		
26	946440	32	Flange screw		
27	838801	1	Oil dipstick		
28	949187	1	• O-ring		
29	838791	1	Tube		
30	843533	2	Rubber cushion		
31	843692	1	Tube		
32	965175	1	Flange screw		
33	945407	1	Flange nut		
34	838792	1	Oil scavenging pipe		
35	943835	1	Plug		
36	829579	1	Tube		
37	860821	1	Delivery pipe		SN2204141510-
38	1545271	1	Sealing ring		
39	965184	2	Flange screw		
40	1545272	1	Flange		
41	1542248	1	Flange		
42	1542385	3	Sealing ring		
43		X	oil filter and installation components	19436	
44		X	• el.oil sump pump		See group 9

7745630-21-19433

10733

Upd:2011-09-27