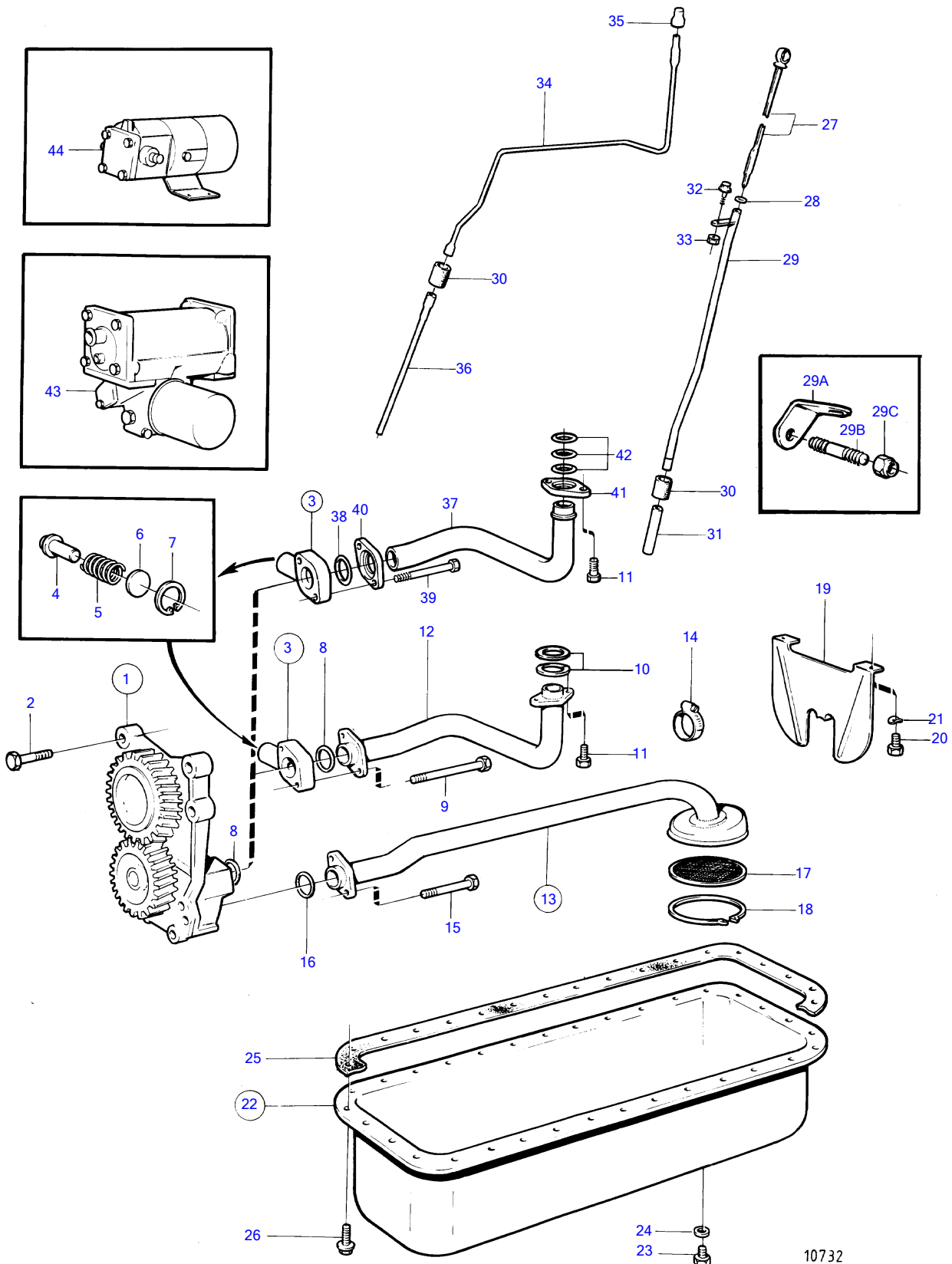


TMD41A, D41A, TAMD41A, AQAD41A, AD41A



10732

TMD41A, D41A, TAMD41A, AQAD41A, AD41A

REF	PART NO.	QTY	DESCRIPTION	SEE SEC.	NOTES
1	1542210	1	Oil pump, oil pump		
			•	19434	
	860721	1	Oil pump		
			•	19434	
2	948217	4	Flange screw		
3	1542255	1	Reduction valve		Only for pipe 1542385, Repl by 860790
	860790		Reduction valve		
			Bulletin 44-32	44-32-EN	Reduction Valve D31, 41, 42
			Bulletin 44-32A	44-32A-EN	Reduction Valve D31, 41, 42
4	471115	1	• Reduction valve		
5	1542257	1	• Spring		
6	948343	1	• Disc		
7	914506	1	• Snap ring		
8	469482	2	Sealing ring		
9	965183	2	Flange screw		
10	1542385	2	Sealing ring		
11	946173	2	Flange screw		
12	1542383	1	Pressure pipe		Replaced by 1ea pipe 860821, 1ea relief valve 860790, 1ea seal ring 1545271, 2ea screw 965184, 1ea flange 1545272, 1ea flange 1542248 and 3ea seal ring 1542385.
13	829491	1	Suction pipe		
14	943473	1	• Hose clamp		
15	965217	2	Flange screw		
16	949657	1	O-ring		
17	403483	1	Wire gauze		
18	118123	1	Snap ring		
19	829492	1	Baffle plate		
20	944926	2	Flange screw		
21	942385	2	Disc spring		
22	844909	1	Oil sump		
23	948187	1	• Plug		
24	18818	1	• Gasket		
25	860685	1	Gasket		(1542247)
26	946440	32	Flange screw		
27	838801	1	Oil dipstick		
28	949187	1	• O-ring		
29	838791	1	Tube		
29A	858832	1	Bracket		Product no. 867977, 868158, 868429, 868430, 868436
29B		1	studbolt		See group 2B
29C		1	nut		See group 2B
30	843533	2	Rubber cushion		
31	843692	1	Tube		
32	965175	1	Flange screw		
33	945407	1	Flange nut		
34	838792	1	Oil scavenging pipe		
35	943835	1	Plug		
36	829579	1	Tube		
37	860821	1	Delivery pipe		
38	1545271	1	Sealing ring		
39	965184	2	Flange screw		
40	1545272	1	Flange		
41	1542248	1	Flange		
42	1542385	3	Sealing ring		
43		X	oil filter and installation components	19435	
44		X	• el. oil sump pump		See group 9

7745630-21-19431

10732

Upd:2011-09-27