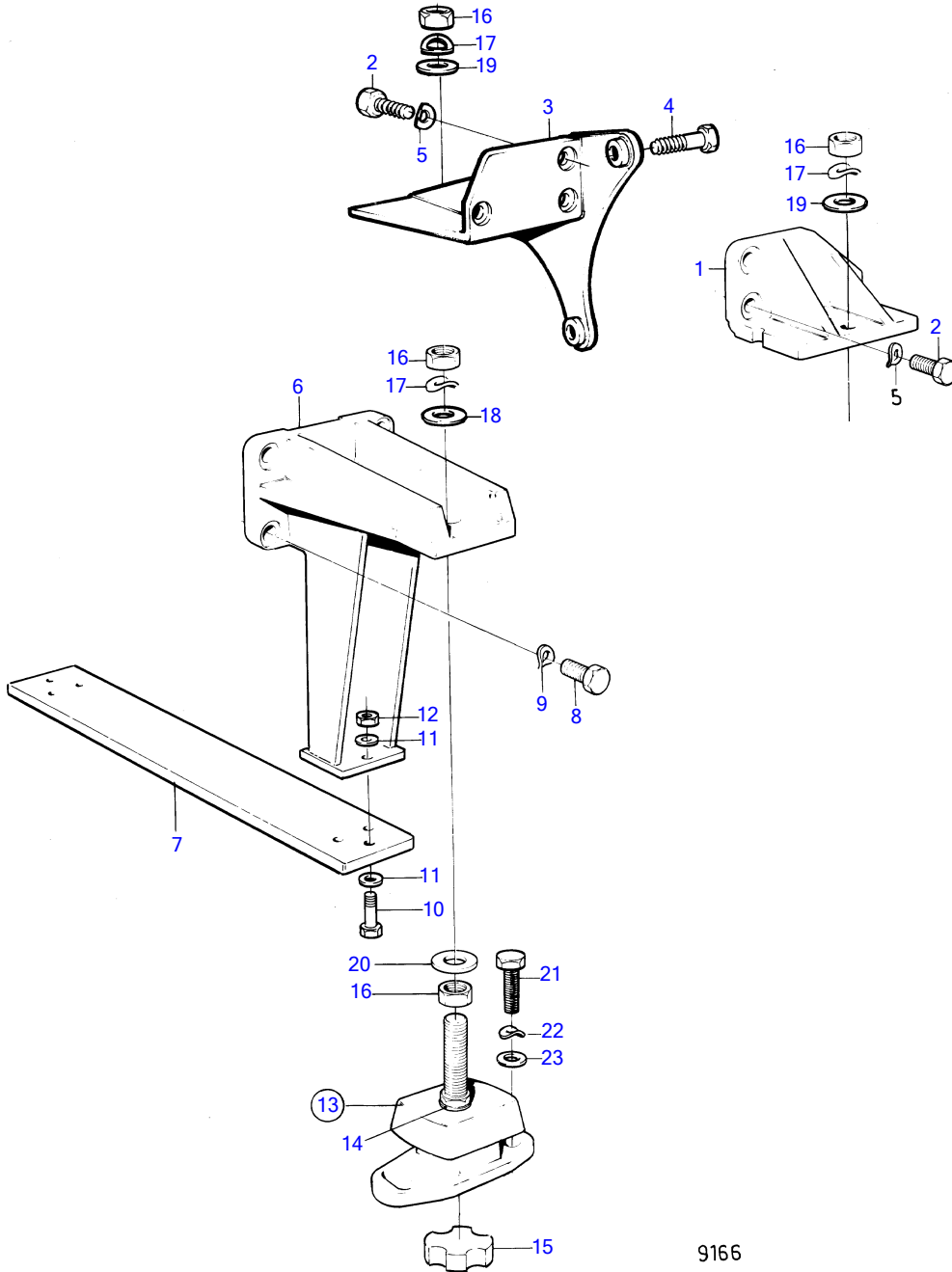


AD41A



9166

AD41A

REF	PART NO.	QTY	DESCRIPTION	SEE SEC.	NOTES
1	859375	1	Engine mountings		Rear
2	970971	6	Hexagon screw		(955341) early type
	966343	3	Flange screw		S.B L=35mm late type
	966343	1	Flange screw		P L=35mm late type
	970973	2	Hexagon screw		P L=45mm late type
3	(858952)	1	Engine bracket		Rear, Obsolete part
4	965186	3	Flange screw		
5	940280	6	Spring washer		Alt. early type
	940280	3	Spring washer		S.B alt. early type
	940280	1	Spring washer		P alt. early type
	955897	2	Washer		P alt. early type
6	858158	2	Bracket		Front
7	858159	1	Bracket		
8	965191	8	Flange screw		
9	940280	8	Spring washer		Early type
10	965191	6	Flange screw		
11	955897	12	Washer		Early type
12	971096	6	Flange nut		
13	858160	4	Rubber cushion		
			Bulletin 44-26	44-26-EN	Reinforced Rubber Cushion
14	955900	4	• Washer		
15	843299	4	• Rubber disc		
16	955805	8	Hexagon nut		
17	941912	4	Spring washer		
18	191940	2	Washer		
19	955900	2	Washer		
20	191940	4	Washer		
21	970951	8	Hexagon screw		(955321)
22	941908	8	Spring washer		
23	960148	8	Washer		