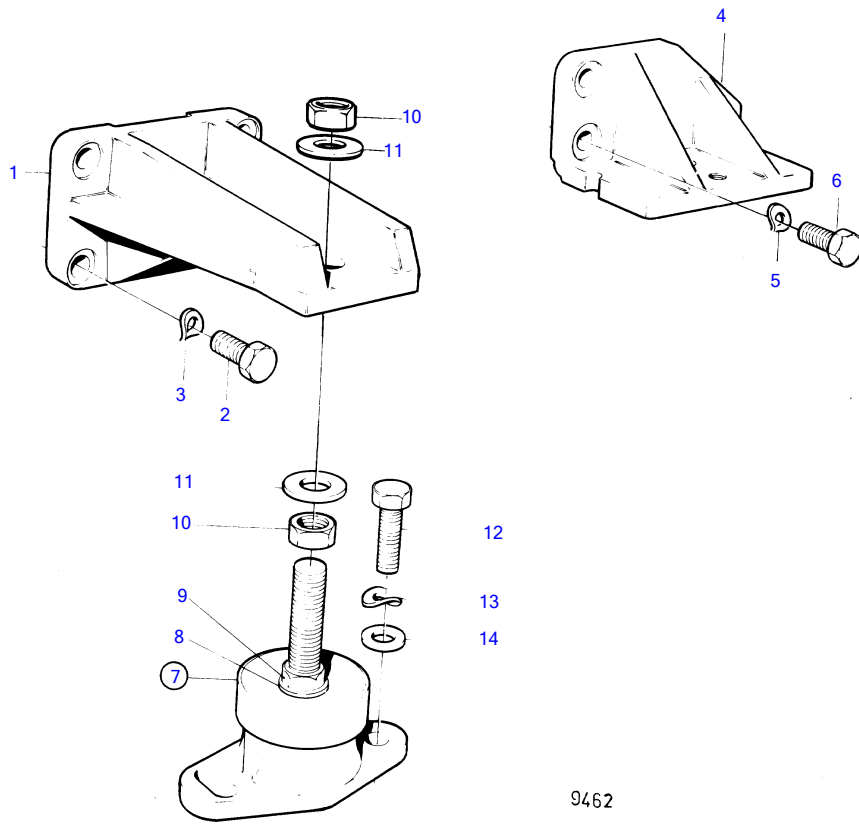


TMD41A



TMD41A

REF	PART NO.	QTY	DESCRIPTION	SEE SEC.	NOTES
1	860027	2	Engine bracket		Front, (829517)
2	965192	8	Flange screw		
3	940280	8	Spring washer		Early type
4	859375	1	Engine mountings		Rear, P
	859376	1	Engine mountings		Rear, S.B
5	940280	6	Spring washer		Early type
6	966343	3	Flange screw		P
	970972	3	Hexagon screw		S.B (955342)
7	829976	4	Rubber element		
			Bulletin 44-26	44-26-EN	Reinforced Rubber Cushion
8	955900	4	• Washer		
9	829567	4	• Adjuster bolt		
10	955805	8	Hexagon nut		
11	191940	6	Washer		
	955900	2	Washer		
12	959242	8	Hex. socket screw		
13	941908	8	Spring washer		
14	960148	8	Washer		