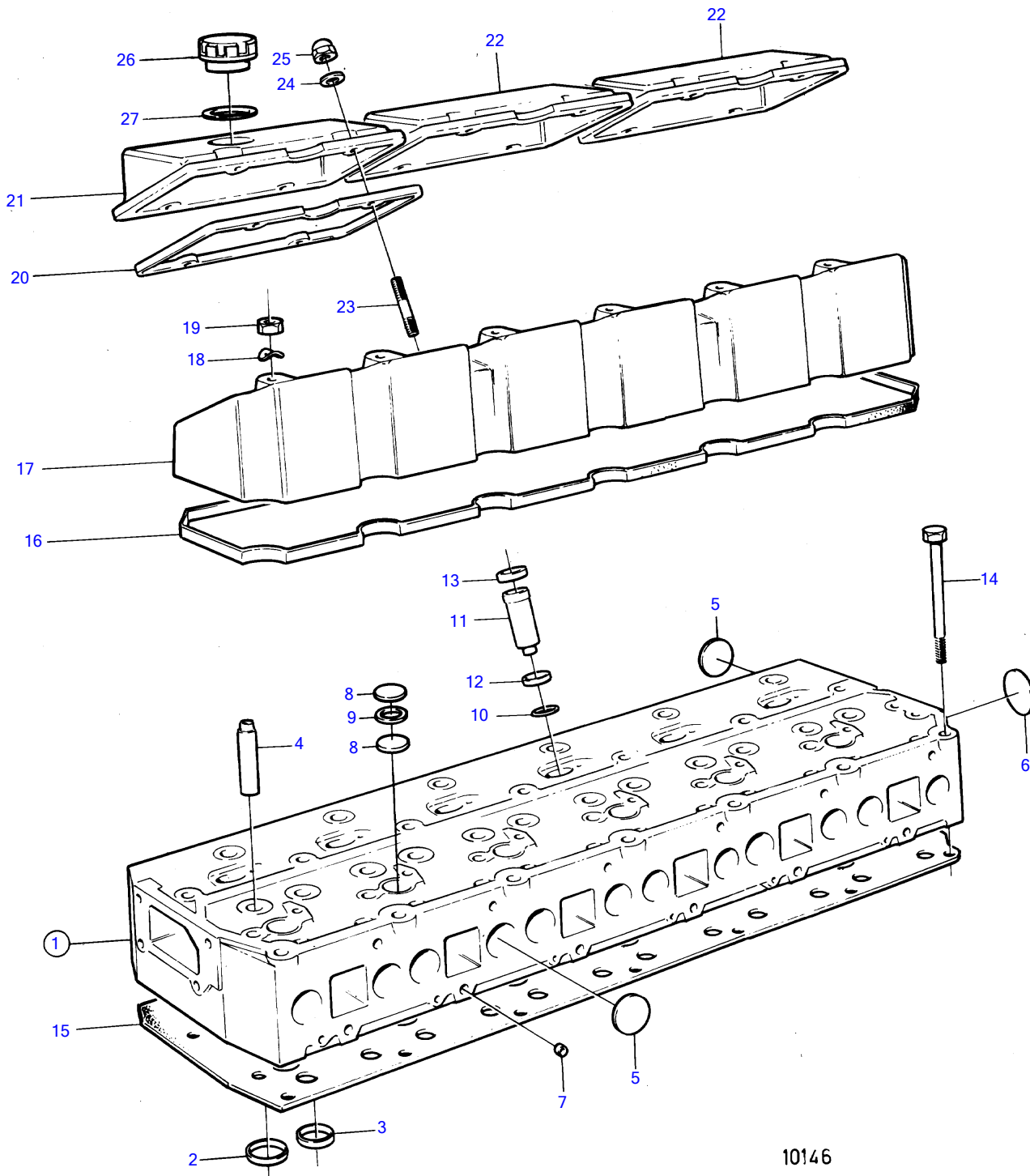


TMD41A, D41A, TAMD41A, AQAD41A, AD41A



10146

TMD41A, D41A, TAMD41A, AQAD41A, AD41A

| REF | PART NO. | QTY | DESCRIPTION | SEE SEC. | NOTES |
|-----|----------|-----|-----------------------|-----------|---------------------------------|
| 1 | 3803103 | 1 | Cylinder head | | (838601) |
| 2 | 858328 | 6 | • Valve seat, inlet | | Std D |
| | (858329) | 6 | • Valve seat, inlet | | Obsolete part, Over size 0,20mm |
| 3 | 858331 | 6 | • Valve seat, exhaust | | Std D |
| | 858332 | 6 | • Valve seat, exhaust | | Over size 0,20mm |
| 4 | 419653 | 12 | • Valve guide | | |
| 5 | 477026 | 13 | • Expansion plug | | (192426) |
| 6 | 968955 | 1 | • Expansion plug | | (941256) |
| 7 | 967853 | 12 | • Cap plug | | |
| 8 | 967948 | 12 | • Expansion plug | | |
| 9 | 949329 | 6 | • Gasket | | |
| 10 | 838821 | 6 | • O-ring | | |
| 11 | 838609 | 6 | • Spray sleeve | | |
| 12 | 838896 | 6 | • Sealing ring | | |
| 13 | 838619 | 6 | • Retainer | | |
| 14 | 838775 | 27 | Screw | | |
| 15 | 858992 | 1 | Gasket | | |
| | | | • Bulletin 44-29A | 44-29A-EN | Cylinder Head Gasket |
| 16 | 838653 | 1 | Gasket | | |
| 17 | 838649 | 1 | Valve cover | | |
| 18 | 941907 | 4 | Spring washer | | |
| 19 | 945408 | 4 | Flange nut | | |
| 20 | 838654 | 3 | Gasket | | |
| 21 | 838651 | 1 | Valve cover | | |
| 22 | 838650 | 2 | Valve cover | | |
| 23 | 953034 | 12 | Stud | | |
| 24 | 955892 | 12 | Washer | | Early type |
| 25 | 948685 | 12 | Cap nut | | Early type |
| | 968458 | 12 | Flange cap nut | | Late type |
| 26 | 1378985 | 1 | Filler cap | | Early type |
| | 3547599 | 1 | Oil filler cap | | Late type |
| 27 | 940096 | 1 | Gasket | | For 1378985 |

7745630-21-19410

10146

Upd:2011-09-27