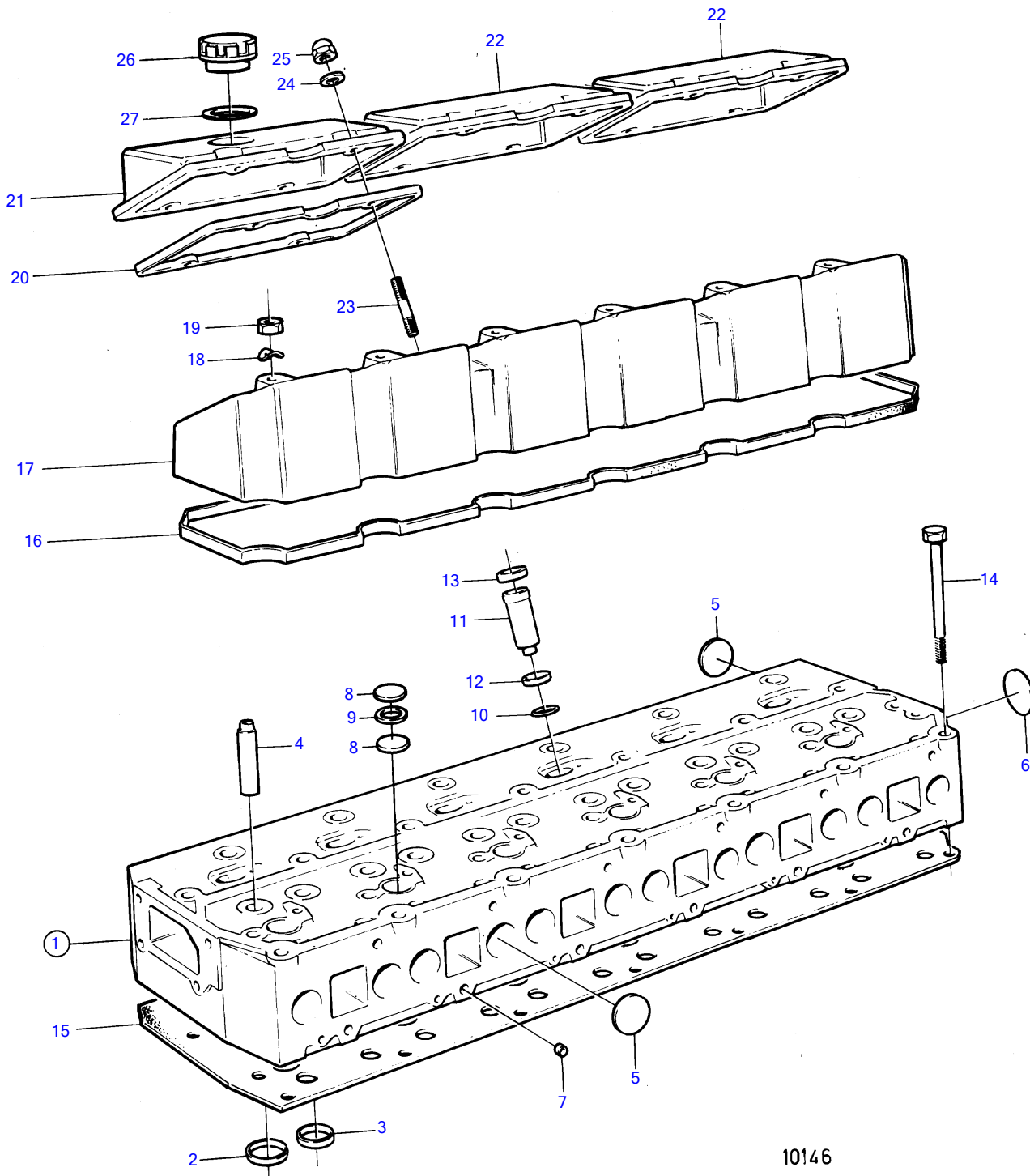


TMD41A, D41A, TAMD41A, AQAD41A, AD41A



10146

TMD41A, D41A, TAMD41A, AQAD41A, AD41A

REF	PART NO.	QTY	DESCRIPTION	SEE SEC.	NOTES
1	3803103	1	Cylinder head		(838601)
2	858328	6	• Valve seat, inlet		Std D
	(858329)	6	• Valve seat, inlet		Obsolete part, Over size 0,20mm
3	858331	6	• Valve seat, exhaust		Std D
	858332	6	• Valve seat, exhaust		Over size 0,20mm
4	419653	12	• Valve guide		
5	477026	13	• Expansion plug		(192426)
6	968955	1	• Expansion plug		(941256)
7	967853	12	• Cap plug		
8	967948	12	• Expansion plug		
9	949329	6	• Gasket		
10	838821	6	• O-ring		
11	838609	6	• Spray sleeve		
12	838896	6	• Sealing ring		
13	838619	6	• Retainer		
14	838775	27	Screw		
15	858992	1	Gasket		
			• Bulletin 44-29A	44-29A-EN	Cylinder Head Gasket
16	838653	1	Gasket		
17	838649	1	Valve cover		
18	941907	4	Spring washer		
19	945408	4	Flange nut		
20	838654	3	Gasket		
21	838651	1	Valve cover		
22	838650	2	Valve cover		
23	953034	12	Stud		
24	955892	12	Washer		Early type
25	948685	12	Cap nut		Early type
	968458	12	Flange cap nut		Late type
26	1378985	1	Filler cap		Early type
	3547599	1	Oil filler cap		Late type
27	940096	1	Gasket		For 1378985

7745630-21-19410

10146

Upd:2011-09-27