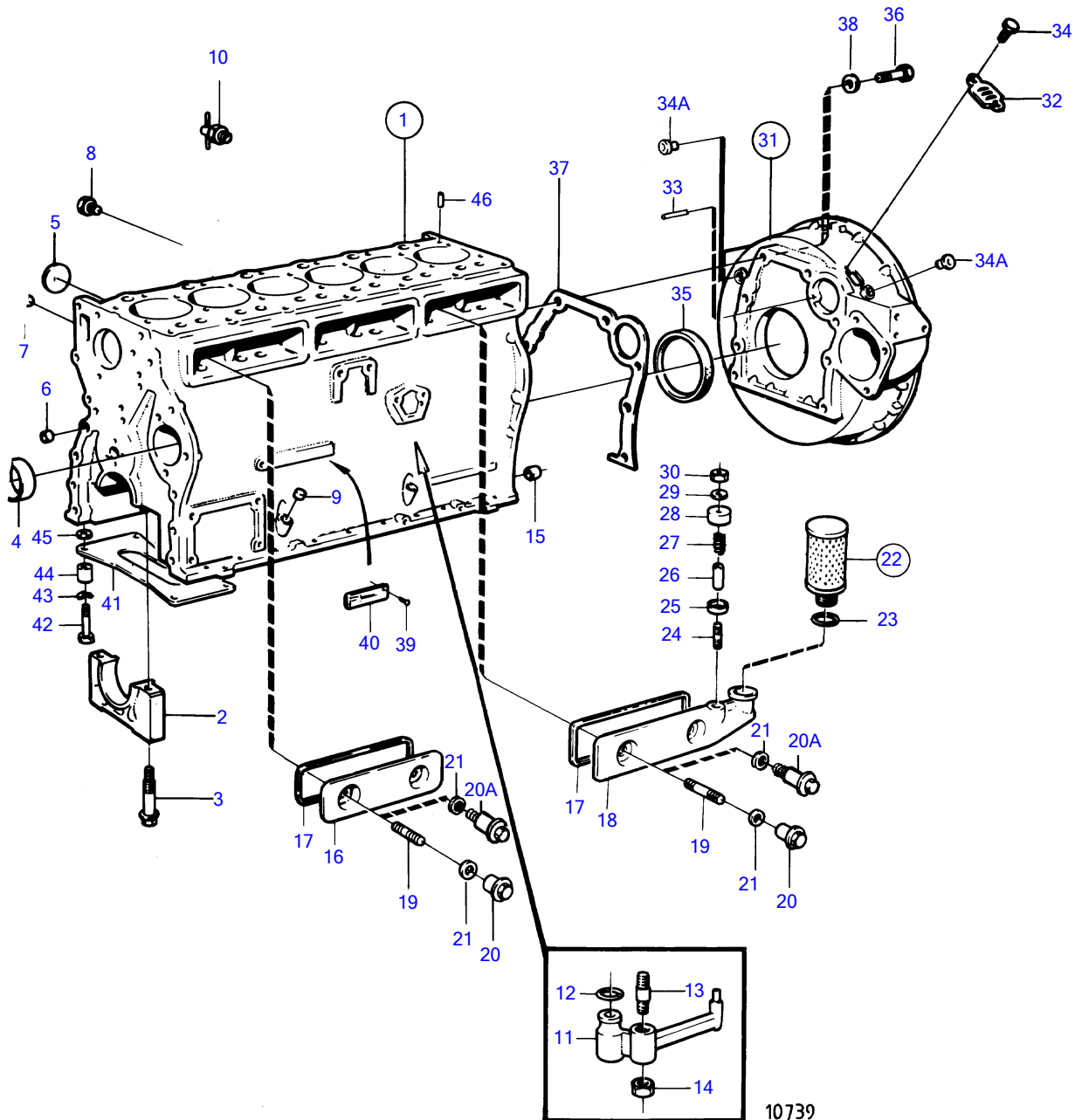


D41A, AQAD41A, AD41A



D41A, AQAD41A, AD41A

| REF | PART NO. | QTY | DESCRIPTION | SEE SEC. | NOTES |
|-----|----------|-----|----------------------|----------|-------------------------|
| 1 | 838610 | 1 | Cylinder block | | |
| | 860249 | 1 | Cylinder block | | |
| 2 | | 7 | • bearing cap | 19419 | |
| 3 | 1542416 | 14 | • Screw | | |
| 4 | 1542067 | 7 | • Camshaft bushing | 19424 | |
| 5 | 463905 | 5 | • Expansion plug | | |
| 6 | 955083 | 4 | • Cap plug | | |
| 7 | 952077 | 2 | Plug | | |
| 8 | 191026 | 5 | Plug | | |
| 9 | 955082 | 1 | Cap plug | | |
| 10 | 947893 | 1 | Shut-off cock | | |
| 11 | 1542320 | 6 | Oil jet | | |
| 12 | 955981 | 6 | O-ring | | |
| 13 | 1542380 | 6 | Stud | | |
| 14 | 946035 | 6 | Lock nut | | |
| 15 | 415311 | 2 | Guide sleeve | | |
| 16 | 1542050 | 2 | Inspection lid | | |
| 17 | 1542052 | 3 | Sealing | | |
| 18 | (838763) | 1 | Crankcase ventilatio | | Obsolete part |
| 19 | 924075 | 6 | Stud | | Early type |
| 20 | 1542286 | 6 | Cap nut | | |
| 20A | 859447 | 6 | Shoulder screw | | Late type |
| 21 | 469846 | 6 | Sealing ring | | Early type |
| 22 | 875850 | 1 | Filter | | Repl by 876069 |
| | 876069 | 1 | Filter | | |
| 23 | 843449 | 1 | • Gasket | | |
| 24 | 924058 | 1 | Stud | | |
| 25 | 842972 | 1 | Valve disc | | |
| 26 | 842974 | 1 | Spacer sleeve | | |
| 27 | 843905 | 1 | Spring | | |
| 28 | 842975 | 1 | Protecting casing | | |
| 29 | 858570 | 1 | Sealing | | |
| 30 | 949278 | 1 | Flange lock nut | | |
| 31 | 860291 | 1 | Flywheel housing | | (838851) repl by 860690 |
| | 860690 | 1 | Flywheel housing | | |
| 32 | 407092 | 1 | • Cover | | |
| 33 | 404069 | 1 | • Pin | | |
| 34 | 965175 | 2 | • Flange screw | | |
| 34A | 860926 | 2 | • Plug | | |
| 35 | 860431 | 1 | Sealing ring | | |
| 36 | 965185 | 6 | Flange screw | | L=40mm |
| | 965220 | 2 | Flange screw | | L=45mm |
| 37 | 829487 | 1 | Gasket | | |
| 38 | 941908 | 8 | Spring washer | | |
| 39 | 950885 | 2 | Drive screw | | |
| 40 | | 1 | engine sign | | |
| 41 | | 1 | bracket | | |
| 42 | 965187 | 4 | Flange screw | | |
| 43 | 941908 | 4 | Spring washer | | |
| 44 | 1545160 | 4 | Spacer sleeve | | |
| 45 | 1545204 | 4 | Spacer sleeve | | |
| 46 | 946402 | 2 | Grooved pin | | |

7745630-21-19415

10739

Upd:2011-09-27