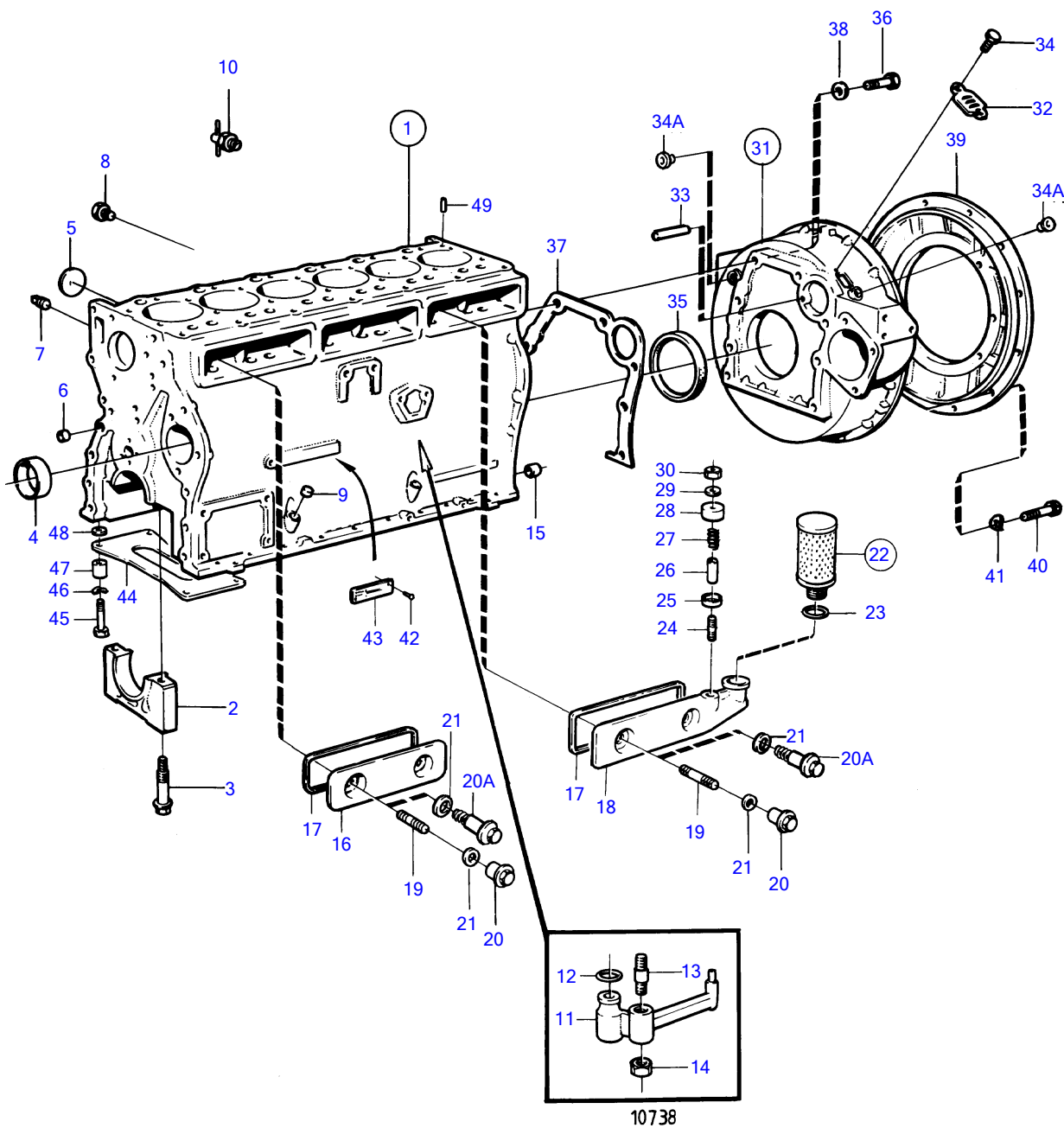


TMD41A, TAMD41A



TMD41A, TAMD41A

REF	PART NO.	QTY	DESCRIPTION	SEE SEC.	NOTES
1	838610	1	Cylinder block		
	860249	1	Cylinder block		
2		7	• bearing cap	19417	
3	1542416	14	• Screw		
4	1542067	7	• Camshaft bushing	19421	
5	463905	5	• Expansion plug		
6	955083	4	• Cap plug		
7	952077	2	Plug		
8	191026	5	Plug		
9	955082	1	Cap plug		
10	947893	1	Shut-off cock		
11	1542320	6	Oil jet		
12	955981	6	O-ring		
13	1542380	6	Stud		
14	946035	6	Lock nut		
15	415311	2	Guide sleeve		
16	1542050	2	Inspection lid		
17	1542052	3	Sealing		
18	(838763)	1	Crankcase ventilatio		Obsolete part
19	924075	6	Stud		Early type
20	1542286	6	Cap nut		Early type
20A	859447	6	Shoulder screw		Late type
21	469846	6	Sealing ring		
22	875850	1	Filter		Repl by 876069
	876069	1	Filter		
23	843449	1	• Gasket		
24	924058	1	Stud		
25	842972	1	Valve disc		
26	842974	1	Spacer sleeve		
27	843905	1	Spring		
28	842975	1	Protecting casing		
29	858570	1	Sealing		
30	949278	1	Flange lock nut		
31	860291	1	Flywheel housing		(838851) repl by 860690
	860690	1	Flywheel housing		
32	407092	1	• Cover		
33	404069	1	• Pin		
34	965175	2	• Flange screw		
34A	860926	2	• Plug		
35	860431	1	Sealing ring		
36	965185	6	Flange screw		L=40mm
	965220	2	Flange screw		L=45mm
37	829487	1	Gasket		
38	941908	8	Spring washer		
39	829489	1	Cardboard tube		
40	946752	11	Flange screw		
41	941908	11	Spring washer		
42	950885	2	Drive screw		
43		1	engine sign		
44		1	bracket		
45	965187	4	Flange screw		
46	941908	4	Spring washer		
47	1545160	4	Spacer sleeve		
48	1545204	4	Spacer sleeve		
49	946402	2	Grooved pin		

7745630-21-19412

10738

Upd:2011-09-27