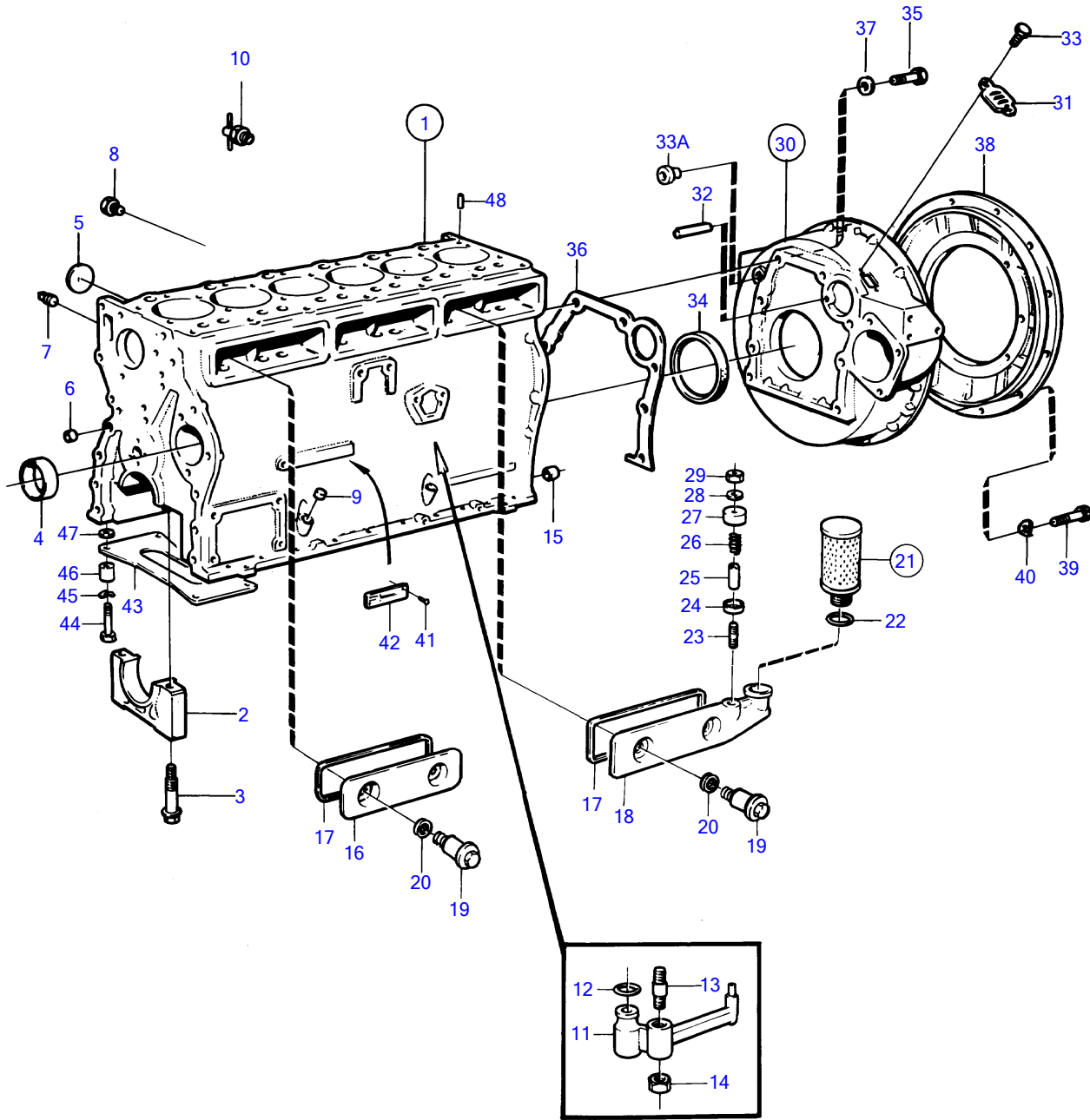


TMD41B, TAMD41B



10525

TMD41B, TAM41B

REF	PART NO.	QTY	DESCRIPTION	SEE SEC.	NOTES
1	860249	1	Cylinder block		
2		7	• bearing cap	19420	
3	1542416	14	• Screw		
4	1542067	7	• Camshaft bushing	19423	
5	463905	5	• Expansion plug		
6	955083	4	• Cap plug		
7	952077	2	Plug		
8	191026	5	Plug		
9	955082	1	Cap plug		
10	947893	1	Shut-off cock		
11	1542320	6	Oil jet		
12	955981	6	O-ring		
13	1542380	6	Stud		
14	946035	6	Lock nut		
15	415311	2	Guide sleeve		
16	1542050	2	Inspection lid		
17	1542052	3	Sealing		
18	(838763)	1	Crankcase ventilatio		Obsolete part
19	859447	6	Shoulder screw		
20	469846	6	Sealing ring		
21	876069	1	Filter		
22	843449	1	• Gasket		
23	924058	1	Stud		
24	842972	1	Valve disc		
25	842974	1	Spacer sleeve		
26	843905	1	Spring		
27	842975	1	Protecting casing		
28	858570	1	Sealing		
29	949278	1	Flange lock nut		
30	860291	1	Flywheel housing		Repl by 860690
	860690	1	Flywheel housing		
31	407092	1	• Cover		
32	404069	1	• Pin		
33	965175	2	• Flange screw		
33A	860926	2	• Plug		
34	860431	1	Sealing ring		
35	965185	6	Flange screw		L=40mm
	965220	2	Flange screw		L=45mm
36	829487	1	Gasket		
37	941908	8	Spring washer		
38	829489	1	Cardboard tube		
39	946752	11	Flange screw		
40	941908	11	Spring washer		
41	950885	2	Drive screw		
42		1	engine sign		
43		1	plate		
44	965187	4	Flange screw		
45	941908	4	Spring washer		
46	1545160	4	Spacer sleeve		
47	1545204	4	Spacer sleeve		
48	946402	2	Grooved pin		

7745630-21-19414

10525

Upd:2011-09-27