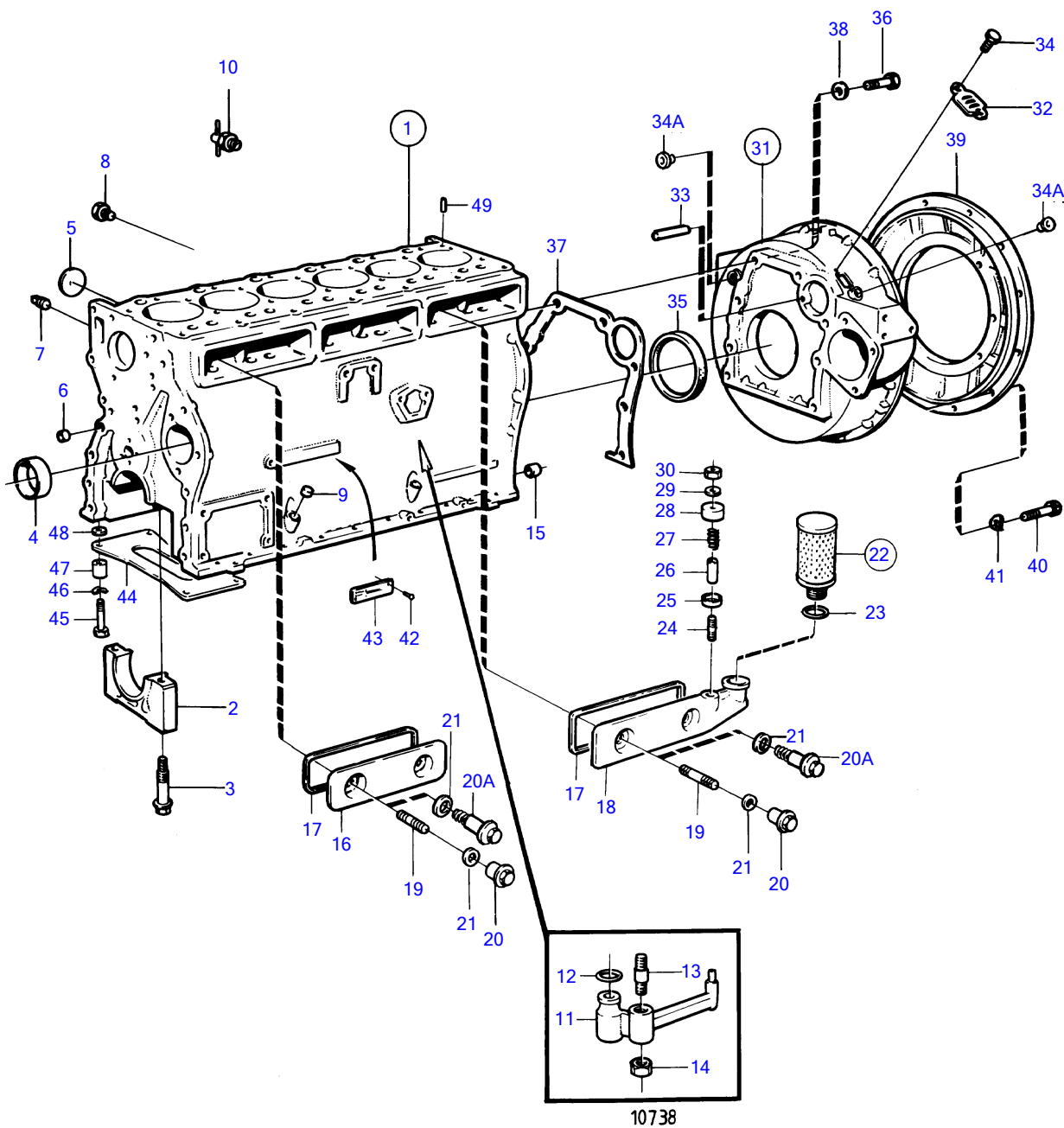


TMD41A, TAMD41A



## TMD41A, TAMD41A

| REF | PART NO. | QTY | DESCRIPTION          | SEE SEC. | NOTES                   |
|-----|----------|-----|----------------------|----------|-------------------------|
| 1   | 838610   | 1   | Cylinder block       |          |                         |
|     | 860249   | 1   | Cylinder block       |          |                         |
| 2   |          | 7   | • bearing cap        | 19417    |                         |
| 3   | 1542416  | 14  | • Screw              |          |                         |
| 4   | 1542067  | 7   | • Camshaft bushing   | 19421    |                         |
| 5   | 463905   | 5   | • Expansion plug     |          |                         |
| 6   | 955083   | 4   | • Cap plug           |          |                         |
| 7   | 952077   | 2   | Plug                 |          |                         |
| 8   | 191026   | 5   | Plug                 |          |                         |
| 9   | 955082   | 1   | Cap plug             |          |                         |
| 10  | 947893   | 1   | Shut-off cock        |          |                         |
| 11  | 1542320  | 6   | Oil jet              |          |                         |
| 12  | 955981   | 6   | O-ring               |          |                         |
| 13  | 1542380  | 6   | Stud                 |          |                         |
| 14  | 946035   | 6   | Lock nut             |          |                         |
| 15  | 415311   | 2   | Guide sleeve         |          |                         |
| 16  | 1542050  | 2   | Inspection lid       |          |                         |
| 17  | 1542052  | 3   | Sealing              |          |                         |
| 18  | (838763) | 1   | Crankcase ventilatio |          | Obsolete part           |
| 19  | 924075   | 6   | Stud                 |          | Early type              |
| 20  | 1542286  | 6   | Cap nut              |          | Early type              |
| 20A | 859447   | 6   | Shoulder screw       |          | Late type               |
| 21  | 469846   | 6   | Sealing ring         |          |                         |
| 22  | 875850   | 1   | Filter               |          | Repl by 876069          |
|     | 876069   | 1   | Filter               |          |                         |
| 23  | 843449   | 1   | • Gasket             |          |                         |
| 24  | 924058   | 1   | Stud                 |          |                         |
| 25  | 842972   | 1   | Valve disc           |          |                         |
| 26  | 842974   | 1   | Spacer sleeve        |          |                         |
| 27  | 843905   | 1   | Spring               |          |                         |
| 28  | 842975   | 1   | Protecting casing    |          |                         |
| 29  | 858570   | 1   | Sealing              |          |                         |
| 30  | 949278   | 1   | Flange lock nut      |          |                         |
| 31  | 860291   | 1   | Flywheel housing     |          | (838851) repl by 860690 |
|     | 860690   | 1   | Flywheel housing     |          |                         |
| 32  | 407092   | 1   | • Cover              |          |                         |
| 33  | 404069   | 1   | • Pin                |          |                         |
| 34  | 965175   | 2   | • Flange screw       |          |                         |
| 34A | 860926   | 2   | • Plug               |          |                         |
| 35  | 860431   | 1   | Sealing ring         |          |                         |
| 36  | 965185   | 6   | Flange screw         |          | L=40mm                  |
|     | 965220   | 2   | Flange screw         |          | L=45mm                  |
| 37  | 829487   | 1   | Gasket               |          |                         |
| 38  | 941908   | 8   | Spring washer        |          |                         |
| 39  | 829489   | 1   | Cardboard tube       |          |                         |
| 40  | 946752   | 11  | Flange screw         |          |                         |
| 41  | 941908   | 11  | Spring washer        |          |                         |
| 42  | 950885   | 2   | Drive screw          |          |                         |
| 43  |          | 1   | engine sign          |          |                         |
| 44  |          | 1   | bracket              |          |                         |
| 45  | 965187   | 4   | Flange screw         |          |                         |
| 46  | 941908   | 4   | Spring washer        |          |                         |
| 47  | 1545160  | 4   | Spacer sleeve        |          |                         |
| 48  | 1545204  | 4   | Spacer sleeve        |          |                         |
| 49  | 946402   | 2   | Grooved pin          |          |                         |

7745630-21-19412

10738

Upd:2011-09-27