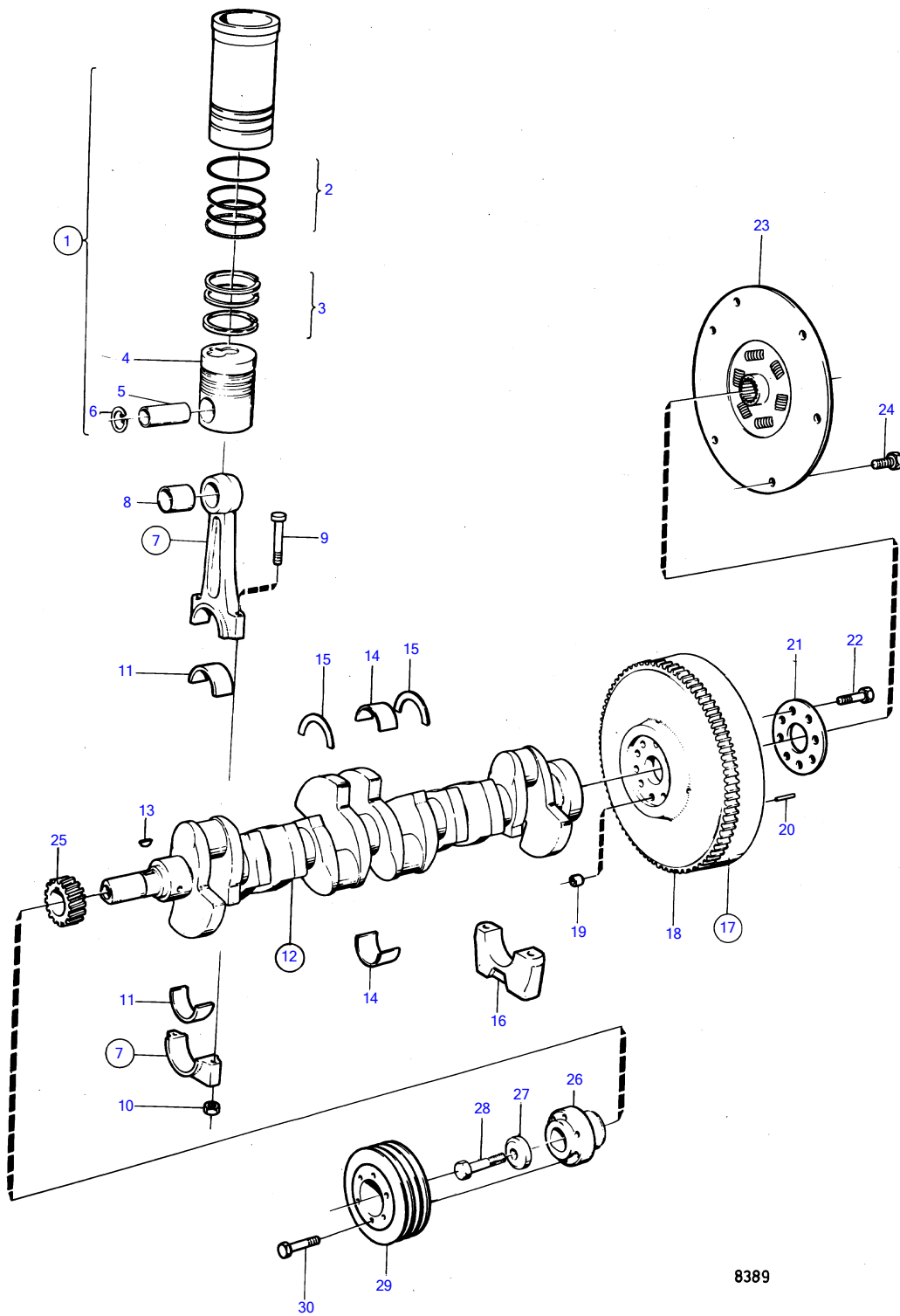


TAMD41A



## TAMD41A

REF	PART NO.	QTY	DESCRIPTION	SEE SEC.	NOTES
1	876099	6	Cylinder liner kit		
2	275751	6	• Sealing ring kit		
3	275350	6	• Piston ring kit		
4		6	• piston		
5	1542160	6	• Piston pin		
6	914519	12	• Snap ring		
7	1542072	6	Connecting rod		
8	1542076	6	• Bushing		
9	1542077	12	• Connecting rod bolt		
10	1542078	12	• Nut		
11	270111	6	Main bearing kit		Std D
	270112	6	Main bearing kit		Under size 0,25mm
	270113	6	Main bearing kit		Under size 0,50mm
	270114	6	Main bearing kit		Under size 0,75mm
12	1545231	1	Crankshaft		
			Bulletin 44-22	44-22-EN	New Crankshaft
13	910118	1	• Woodruff key		
14	270467	7	Main bearing kit		Std D
	270468	7	Main bearing kit		Under size 0,25mm
	270469	7	Main bearing kit		Under size 0,50mm
	270470	7	Main bearing kit		Under size 0,75mm
15	270464	1	Thrust washer kit		Std D
	270465	1	Thrust washer kit		Over size 0,10mm
	270466	1	Thrust washer kit		Over size 0,20mm
16		7	bearing cap	19413	
17	860726	1	Flywheel		(838850)
18	829462	1	• Ring gear		
19	415311	1	• Guide sleeve		
20	191873	3	• Locating pin		
21	1542093	1	Bolt plate		
22	1544147	8	Screw		
23	855617	1	Oscillation damper		
24	946173	6	Flange screw		
25	1542305	1	Gear	19427	
26	1542196	1	Hub		
27	420124	1	Washer		
28	1542149	1	Hexagon screw		
29	838725	1	Vibration damper		
30	948217	6	Flange screw		

7745630-21-19418

8389

Upd:2011-09-27