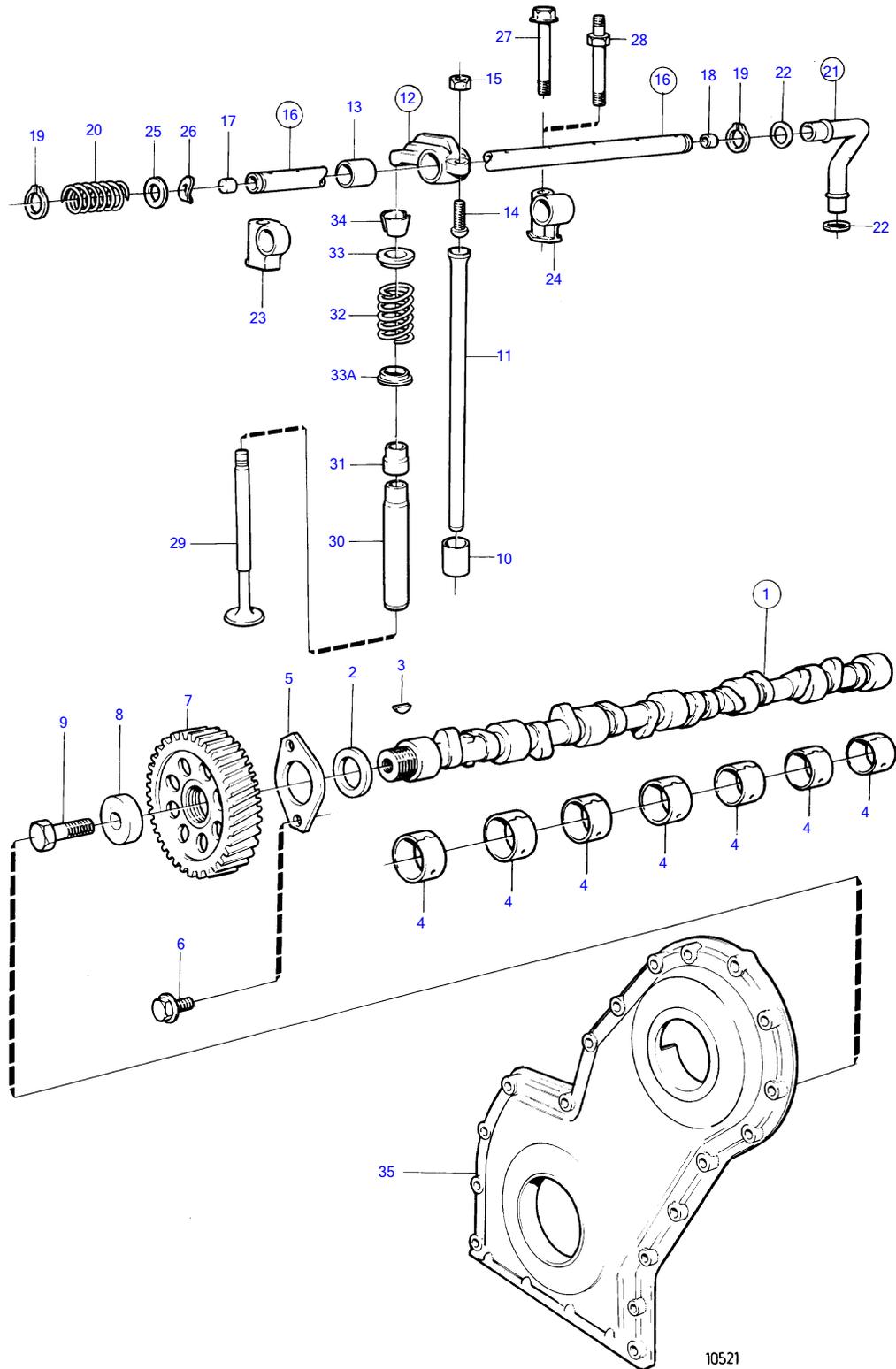


TMD41B, TAMD41B



TMD41B, TAMD41B

| REF | PART NO. | QTY | DESCRIPTION | SEE SEC. | NOTES |
|-----|----------|-----|-----------------------------|----------|-------------------|
| 1 | 838632 | 1 | Camshaft | | |
| 2 | 1542221 | 1 | • Spacer washer | | |
| 3 | 910116 | 1 | • Woodruff key | | |
| 4 | 1542067 | 7 | Camshaft bushing | 19414 | |
| 5 | 838992 | 1 | Thrust washer | | |
| 6 | 946440 | 2 | Flange screw | | |
| 7 | 1542034 | 1 | Gear | 19428 | |
| 8 | 1542223 | 1 | Washer | 19428 | |
| 9 | 965193 | 1 | Flange screw | | |
| 10 | 1542208 | 12 | Valve tappet | | |
| 11 | 838636 | 12 | Push rod | | |
| 12 | 418301 | 6 | Rocker arm | | No. 1-3-5-7-9-11 |
| | 418298 | 6 | Rocker arm | | No. 2-4-6-8-10-12 |
| 13 | 418297 | 12 | • Bushing | | |
| 14 | 418286 | 12 | • Ball stud | | |
| 15 | 921781 | 12 | • Hexagon nut | | |
| 16 | 838643 | 1 | Rocker arm shaft | | |
| 17 | 955083 | 1 | • Cap plug | | |
| 18 | 840444 | 1 | • Sleeve | | |
| 19 | 914456 | 2 | Snap ring | | |
| 20 | 411139 | 5 | Compression spring | | |
| 21 | 860686 | 1 | Tube | | |
| 22 | 969198 | 2 | • O-ring | | |
| 23 | 838726 | 1 | Adapter | | |
| 24 | 838647 | 5 | Bearing bracket | | |
| 25 | 840686 | 2 | Spring washer | | |
| 26 | 400722 | 2 | Shim | | |
| 27 | 965188 | 2 | Flange screw | | |
| 28 | 838732 | 4 | Stud | | |
| 29 | 838637 | 6 | Inlet valve | | |
| | 838638 | 6 | Exhaust valve | | |
| 30 | 419653 | 12 | Valve guide | | |
| 31 | 859171 | 12 | Valve stem seal | | Inlopp-inlet |
| 32 | 1545198 | 12 | Valve spring | | |
| 33 | 838639 | 12 | Washer | | |
| 33A | 1332137 | 12 | Valve spring washer | | |
| 34 | 465284 | 24 | Lock | | |
| 35 | | X | timing gear cover and gears | 19428 | |