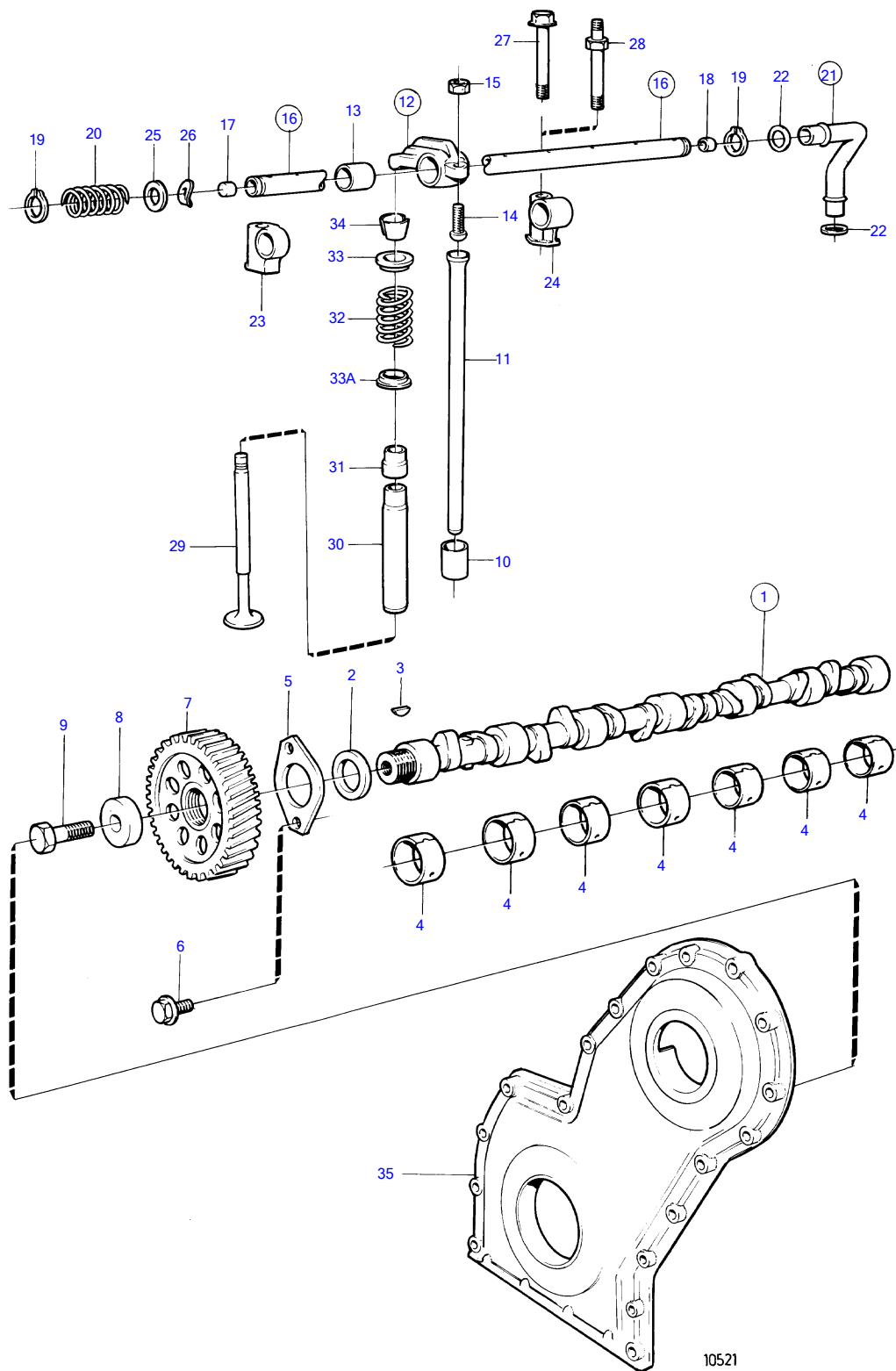


TMD41B, TAMD41B



TMD41B, TAMD41B

REF	PART NO.	QTY	DESCRIPTION	SEE SEC.	NOTES
1	838632	1	Camshaft		
2	1542221	1	• Spacer washer		
3	910116	1	• Woodruff key		
4	1542067	7	Camshaft bushing	19414	
5	838992	1	Thrust washer		
6	946440	2	Flange screw		
7	1542034	1	Gear	19428	
8	1542223	1	Washer	19428	
9	965193	1	Flange screw		
10	1542208	12	Valve tappet		
11	838636	12	Push rod		
12	418301	6	Rocker arm		No. 1-3-5-7-9-11
	418298	6	Rocker arm		No. 2-4-6-8-10-12
13	418297	12	• Bushing		
14	418286	12	• Ball stud		
15	921781	12	• Hexagon nut		
16	838643	1	Rocker arm shaft		
17	955083	1	• Cap plug		
18	840444	1	• Sleeve		
19	914456	2	Snap ring		
20	411139	5	Compression spring		
21	860686	1	Tube		
22	969198	2	• O-ring		
23	838726	1	Adapter		
24	838647	5	Bearing bracket		
25	840686	2	Spring washer		
26	400722	2	Shim		
27	965188	2	Flange screw		
28	838732	4	Stud		
29	838637	6	Inlet valve		
	838638	6	Exhaust valve		
30	419653	12	Valve guide		
31	859171	12	Valve stem seal		Inlopp-inlet
32	1545198	12	Valve spring		
33	838639	12	Washer		
33A	1332137	12	Valve spring washer		
34	465284	24	Lock		
35		X	timing gear cover and gears	19428	