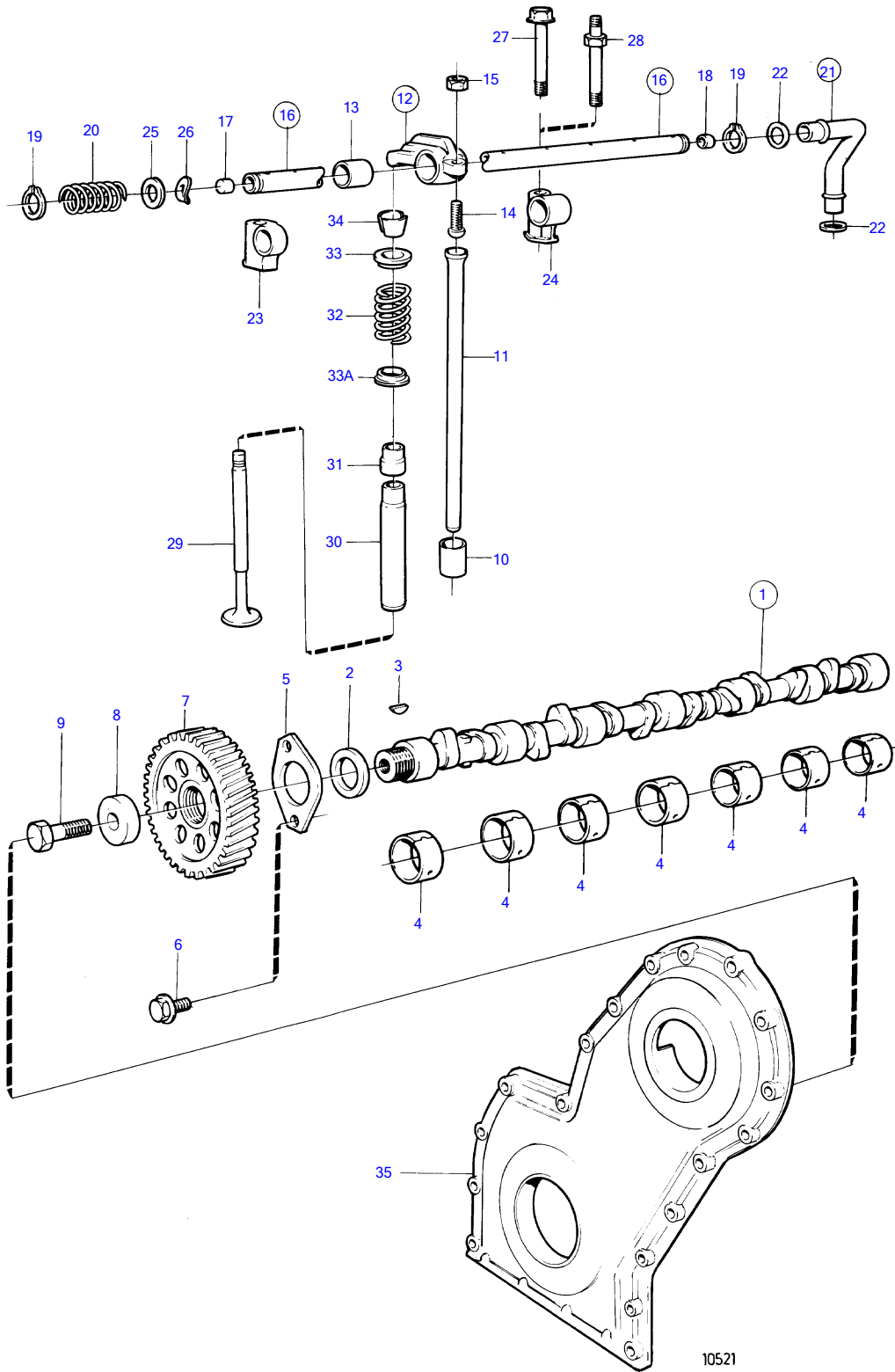


TAMD41A



## TAMD41A

| REF | PART NO. | QTY | DESCRIPTION                 | SEE SEC. | NOTES             |
|-----|----------|-----|-----------------------------|----------|-------------------|
| 1   | 838632   | 1   | Camshaft                    |          |                   |
| 2   | 1542221  | 1   | • Spacer washer             |          |                   |
| 3   | 910116   | 1   | • Woodruff key              |          |                   |
| 4   | 1542067  | 7   | Camshaft bushing            | 19413    |                   |
| 5   | 838992   | 1   | Thrust washer               |          |                   |
| 6   | 946440   | 2   | Flange screw                |          |                   |
| 7   | 1542034  | 1   | Gear                        | 19427    |                   |
| 8   | 1542223  | 1   | Washer                      |          |                   |
| 9   | 965193   | 1   | Flange screw                |          |                   |
| 10  | 1542208  | 12  | Valve tappet                |          |                   |
| 11  | 838636   | 12  | Push rod                    |          |                   |
| 12  | 418301   | 6   | Rocker arm                  |          | No. 1,3,5,7,9,11  |
|     | 418298   | 6   | Rocker arm                  |          | No. 2,4,6,8,10,12 |
| 13  | 418297   | 12  | • Bushing                   |          |                   |
| 14  | 418286   | 12  | • Ball stud                 |          |                   |
| 15  | 921781   | 12  | • Hexagon nut               |          |                   |
| 16  | 838643   | 1   | Rocker arm shaft            |          |                   |
| 17  | 955083   | 1   | • Cap plug                  |          |                   |
| 18  | 840444   | 1   | • Sleeve                    |          |                   |
| 19  | 914456   | 2   | Snap ring                   |          |                   |
| 20  | 411139   | 5   | Compression spring          |          |                   |
| 21  | 860686   | 1   | Tube                        |          |                   |
| 22  | 969198   | 2   | • O-ring                    |          |                   |
| 23  | 838726   | 1   | Adapter                     |          |                   |
| 24  | 838647   | 5   | Bearing bracket             |          |                   |
| 25  | 840686   | 2   | Spring washer               |          |                   |
| 26  | 400722   | 2   | Shim                        |          |                   |
| 27  | 965188   | 2   | Flange screw                |          |                   |
| 28  | 838732   | 4   | Stud                        |          |                   |
| 29  | 838637   | 6   | Inlet valve                 |          |                   |
|     | 838638   | 6   | Exhaust valve               |          |                   |
| 30  | 419653   | 12  | Valve guide                 | 19410    |                   |
| 31  | 859171   | 12  | Valve stem seal             |          | Inlopp/inlet      |
| 32  | 1545198  | 12  | Valve spring                |          |                   |
| 33  | 838639   | 12  | Washer                      |          |                   |
| 33A | 1332137  | 12  | Valve spring washer         |          |                   |
| 34  | 465284   | 24  | Lock                        |          |                   |
| 35  |          | X   | timing gear cover and gears | 19427    |                   |