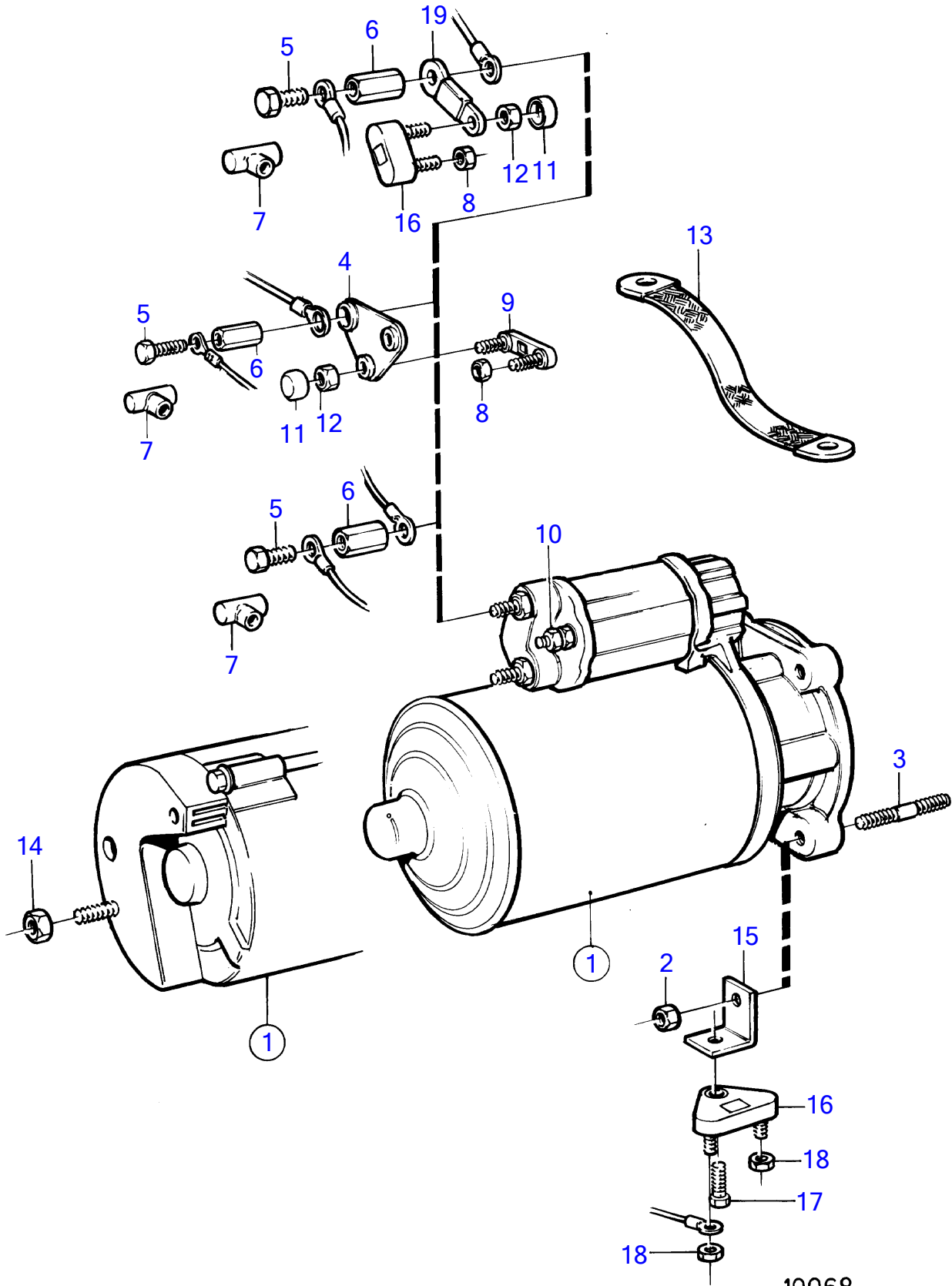


D41A, AQAD41A, AD41A



10068

**D41A, AQAD41A, AD41A**

REF	PART NO.	QTY	DESCRIPTION	SEE SEC.	NOTES
1	829527	1	Starter motor		Replaced by starter motor 859252,ground cable 968048 and plate 945408, Also available as an exchange part.
			.	19536	
	859252	1	Starter motor		Also available as an exchange part., SN2204114257-
			.	19537	
2	971095	3	Flange nut		
3	953067	3	Stud		
4	852986	1	Current bar		SN-2204125506 Repl by 860212
5	947107	1	Flange screw		
6	855314	1	Nut		
7	855798	1	Protecting sleeve		
8	945407	1	Flange nut		
9	856355	1	Fuse		(853502)
10	965483	1	Flange nut		
11	853572	1	Protective cap		
12	853573	1	Anode kit		
13	968048	1	Chassis ground cable		For 859252
14	945408	1	Flange nut		For 859252
15	846780	1	Bracket		SN2204125507-2204126624
16	856355	1	Fuse		
17	946544	1	Flange screw		
18	945407	2	Flange nut		
19	860212	1	Current bar		SN2204126625-