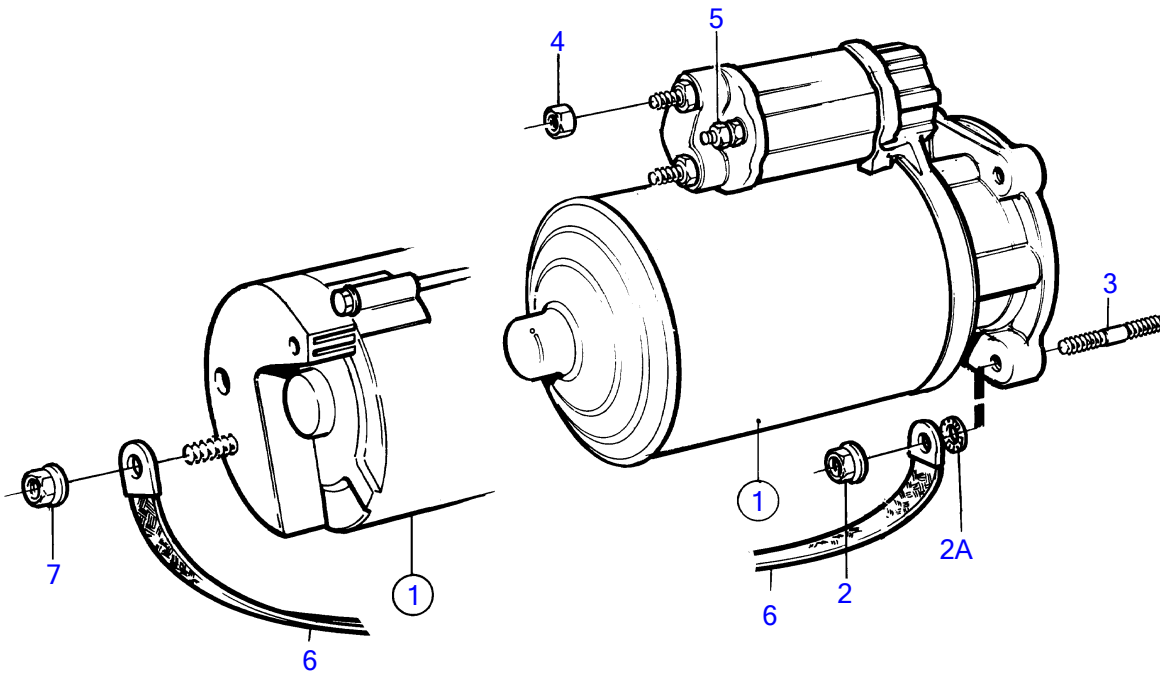


TAMD41B



10741

TAMD41B

REF	PART NO.	QTY	DESCRIPTION	NOTES
1	859252	1	Starter motor	Product no.868189,868190,868191,868438,868448, Also available as an exchange part., 12V
	838987	1	Starter motor	Product no.868439, 24V
2	971095	3	Flange nut	
2A	945987	1	Toothed washer	
3	953067	3	Stud	
4	945408	1	Flange nut	Product no.867975,867976,868082,868421,868422,868425, 868426,868433
5	965483	1	Flange nut	
6	968048	1	Chassis ground cable	For 859252
7	945408	1	Flange nut	For 859252