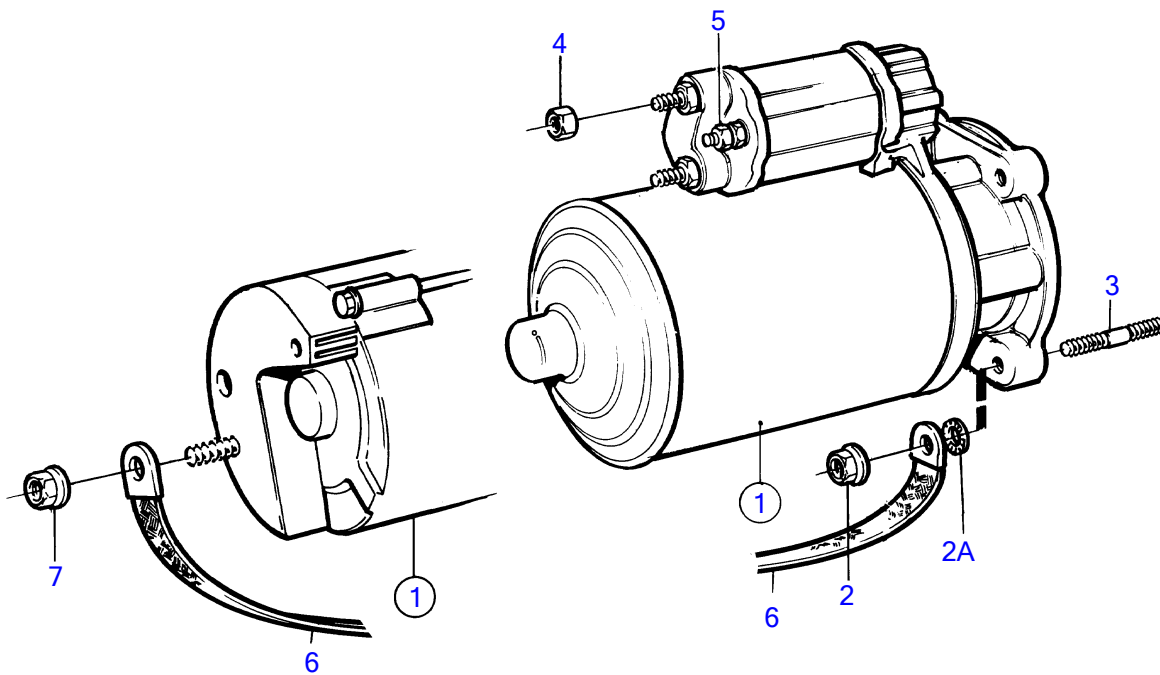


TAMD41A



10741

TAMD41A

REF	PART NO.	QTY	DESCRIPTION	NOTES
1	829527	1	Starter motor	Replaced by starter motor 859252,ground cable 968048 and plate 945408, Product no.867975,867976,868082,868421,868422,868425, 868426, Also available as an exchange part., 12V
	859252	1	Starter motor	Product no.867975,867976,868082,868421,868422,868425, 868426,868433, Also available as an exchange part., 12V
	838987	1	Starter motor	Product no.868427,868428,868431,868434, 24V
2	971095	3	Flange nut	
3	953067	3	Stud	
4	945408	1	Flange nut	
5	965483	1	Flange nut	
6	968048	1	Chassis ground cable	For 859252
7	945408	1	Flange nut	For 859252