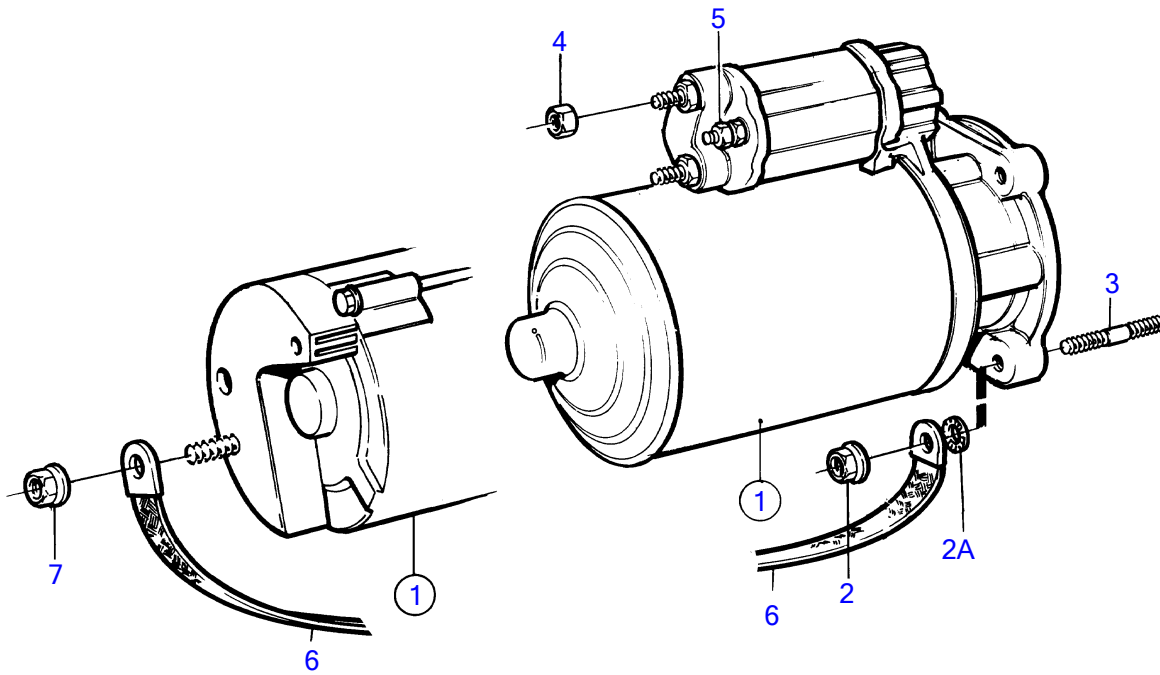


TMD41A



10741

TMD41A

REF	PART NO.	QTY	DESCRIPTION	SEE SEC.	NOTES
1	829527	1	Starter motor		Replaced by starter motor 859252,ground cable 968048 and plate 945408, Also available as an exchange part., 12V
			.	19536	
	859252	1	Starter motor		Also available as an exchange part., 12V
			.	19537	
			.	19536	
			.	19537	
			.	19538	
			.	19537	
			.	19537	
			.	19538	
2	971095	3	Flange nut		
3	953067	3	Stud		
4	945408	1	Flange nut		Product no.867975,867976,868082,868421,868422,868425,868426,868433
5	965483	1	Flange nut		Product no.867975,867976,868082,868421,868422,868425,868426,868433
6	968048	1	Chassis ground cable		For 859252
7	945408	1	Flange nut		For 859252

