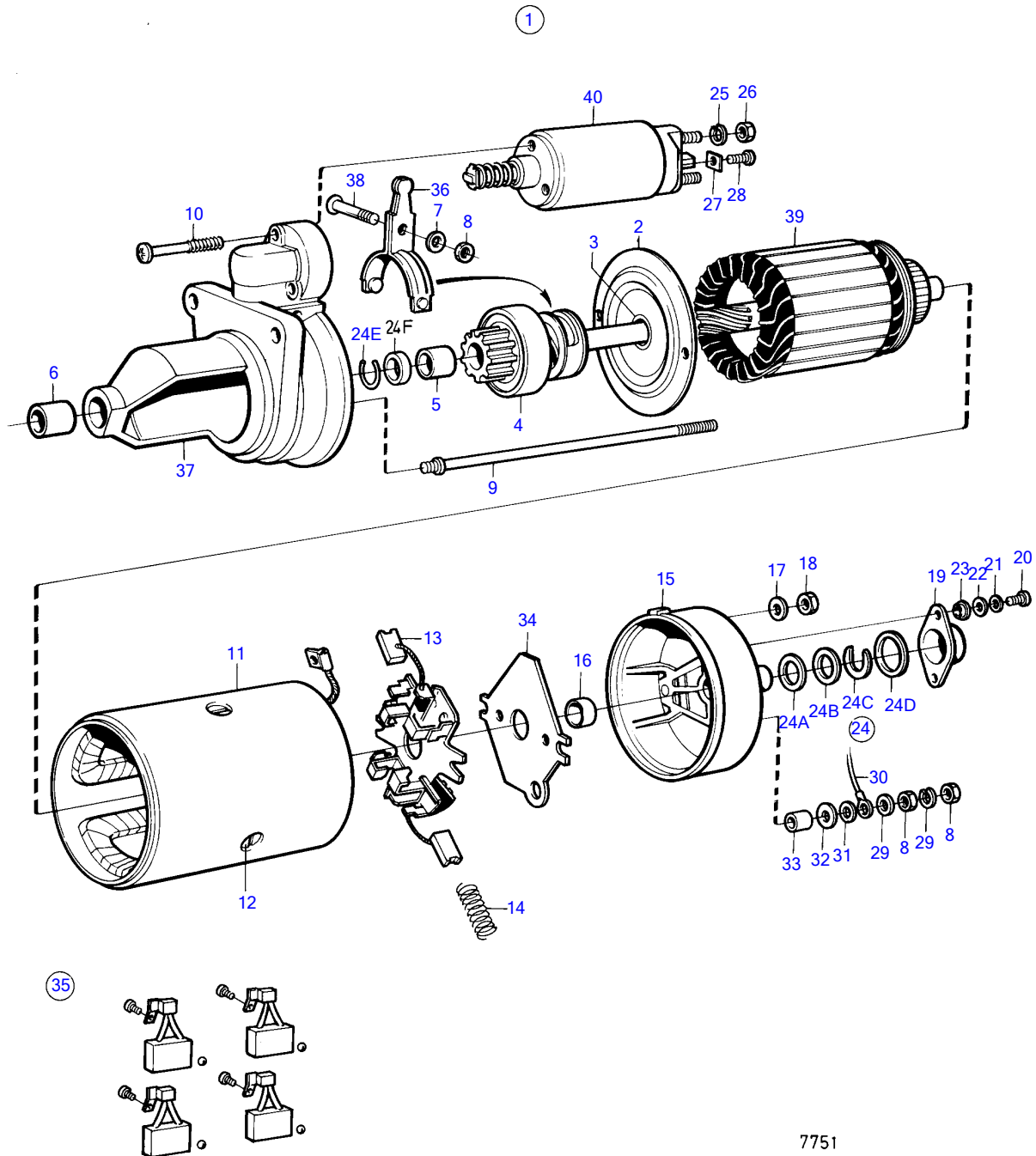


TMD41A, TMD41B, D41A, D41B, TAMD41A, TAMD41B, AQAD41A, AD41A, AD41B



7751

TMD41A, TMD41B, D41A, D41B, TAMD41A, TAMD41B, AQAD41A, AD41A, AD41B

REF	PART NO.	QTY	DESCRIPTION	SEE SEC.	NOTES
1	838987	1	Starter motor		24V
2	(6210770)	1	• Bearing shield		Obsolete part
3	6644949	1	• • Bearing bushing		
4	1696543	1	• Starter pinion		
5	6210772	1	• • Bearing bushing		
6	48109	1	• Bearing bushing		
7	941907	1	• Spring washer		
8	947941	3	• Hexagon nut		
9	(6210774)	2	• Screw		Obsolete part
10	(1696544)	3	• Screw		Obsolete part
11	(6210775)	1	• Field winding		Obsolete part
12	6211936	4	• Screw		
13	858686	1	• Brush retainer		
14	6211874	4	• Spring		
15	(858687)	1	• Bearing shield		Obsolete part
16	6210777	1	• • Bearing bushing		
17	(86287)	2	• Washer		Obsolete part
18	955781	2	• Hexagon nut		
19	(858688)	1	• Cover		Obsolete part
20	956078	2	• Cross recessed screw		
21	941905	2	• Spring washer		
22	(858696)	2	• Washer		Obsolete part
23	(858695)	2	• Bushing		Obsolete part
24	829707	1	• Small parts kit		
24A		1	• • spacer		
24B		1	• • spacer		
24C		1	• • lock washer		
24D		1	• • gasket		
24E		1	• • lockring		
24		1	• • washer		
25	(1328134)	2	• Washer		Obsolete part
26	971080	2	• Hexagon nut		(955791)
27	(858689)	1	• Clamping brace		Obsolete part
28	956058	1	• Cross recessed screw		
29	941907	2	• Spring washer		
30		X	• cable		
		X	• • components	19549	
31	955894	1	• Washer		
32	(858693)	1	• Insulating sheet		Obsolete part
33	(858692)	1	• Bushing		Obsolete part
34	(858691)	1	• Isolation plate		Obsolete part
35	6210778	1	• Brush set		
36	(1696545)	1	• Engagement lever		Obsolete part
37	(1696578)	1	• Bearing shield		Obsolete part
38	6210773	1	• Screw		
39	6210769	1	• Anchor		
40	858697	1	• Solenoid		