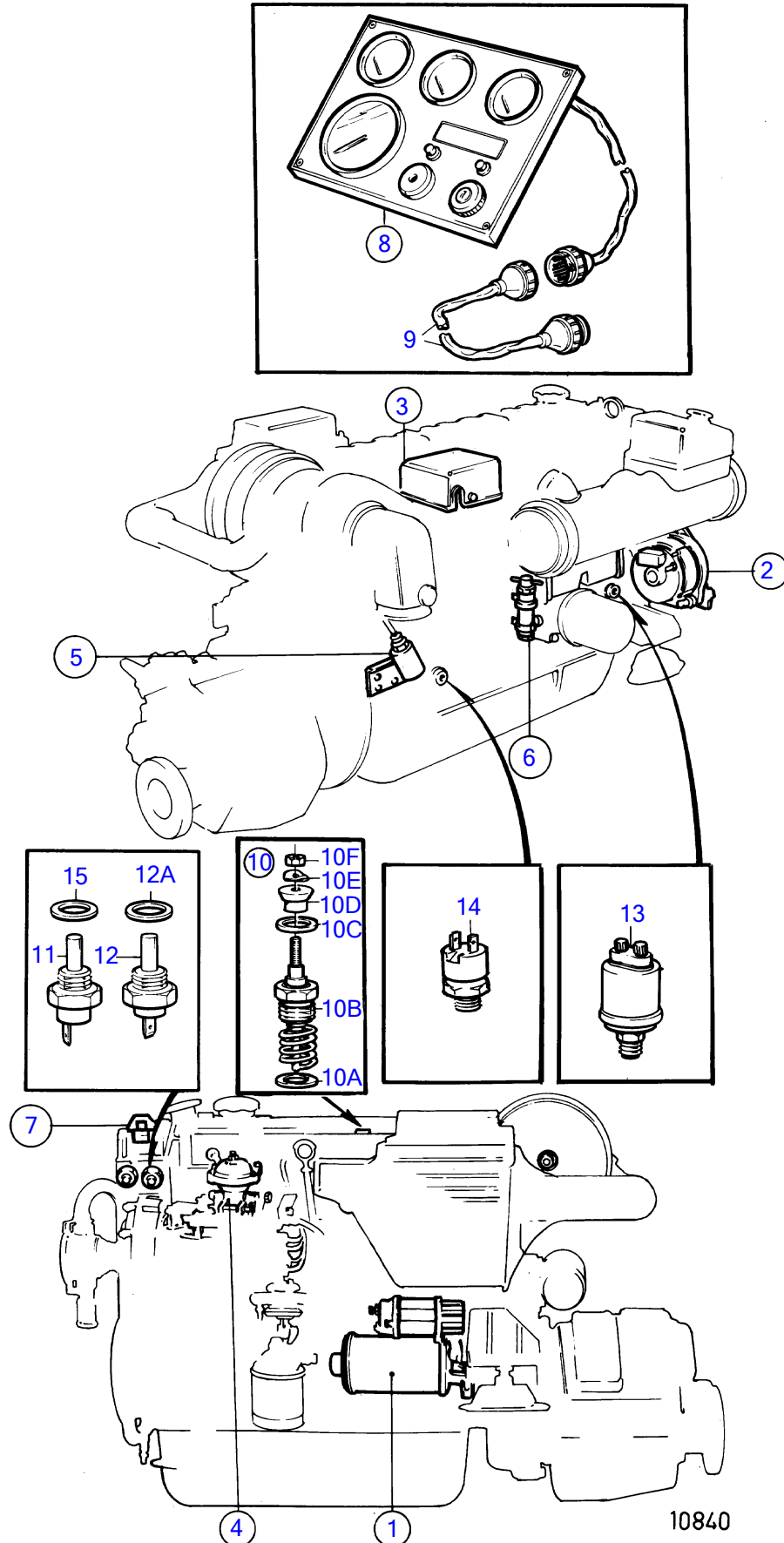


TAMD41A



TAMD41A

REF	PART NO.	QTY	DESCRIPTION	SEE SEC.	NOTES
1		1	starter motor with installation components	19531	
2		1	alternator with installation components	19526	
3		1	electrical box with installation components	19559	
4		1	micro switch with installation components	19546	
5		1	solenoid with installation components	19544	
6		1	tilt switch with installation components	19547	
7		1	relay with installation components	19548	
8	859063	1	Instrument panel	19539	24V repl by 864041
	864041	1	Instrument panel	19540	24V
9	846648	X	Extension cable'verl		L=3000mm
	846649	X	Extension cable'verl		L=5000mm
	846650	X	Extension cable'verl		L=7000mm
10	876132	1	Glow plug		
10A	859211	1	• Sealing ring		
10B	3581635	2	• Glow plug, glow plug		
10C		1	• o-ring		
10D	859328	1	• Thrust sleeve		
10E	941905	1	• Spring washer		
10F	965483	1	• Flange nut		
11	858229	1	Thermo monitor		24V
12	862326	1	Sensor kit		24V
12A	947624	1	• Gasket		
13	862324	1	Oil pressure sensor		
14	864284	1	Pressure monitor		(848367)
15	957181	1	Gasket		

7745630-30-19552

10840

Upd:2011-09-27