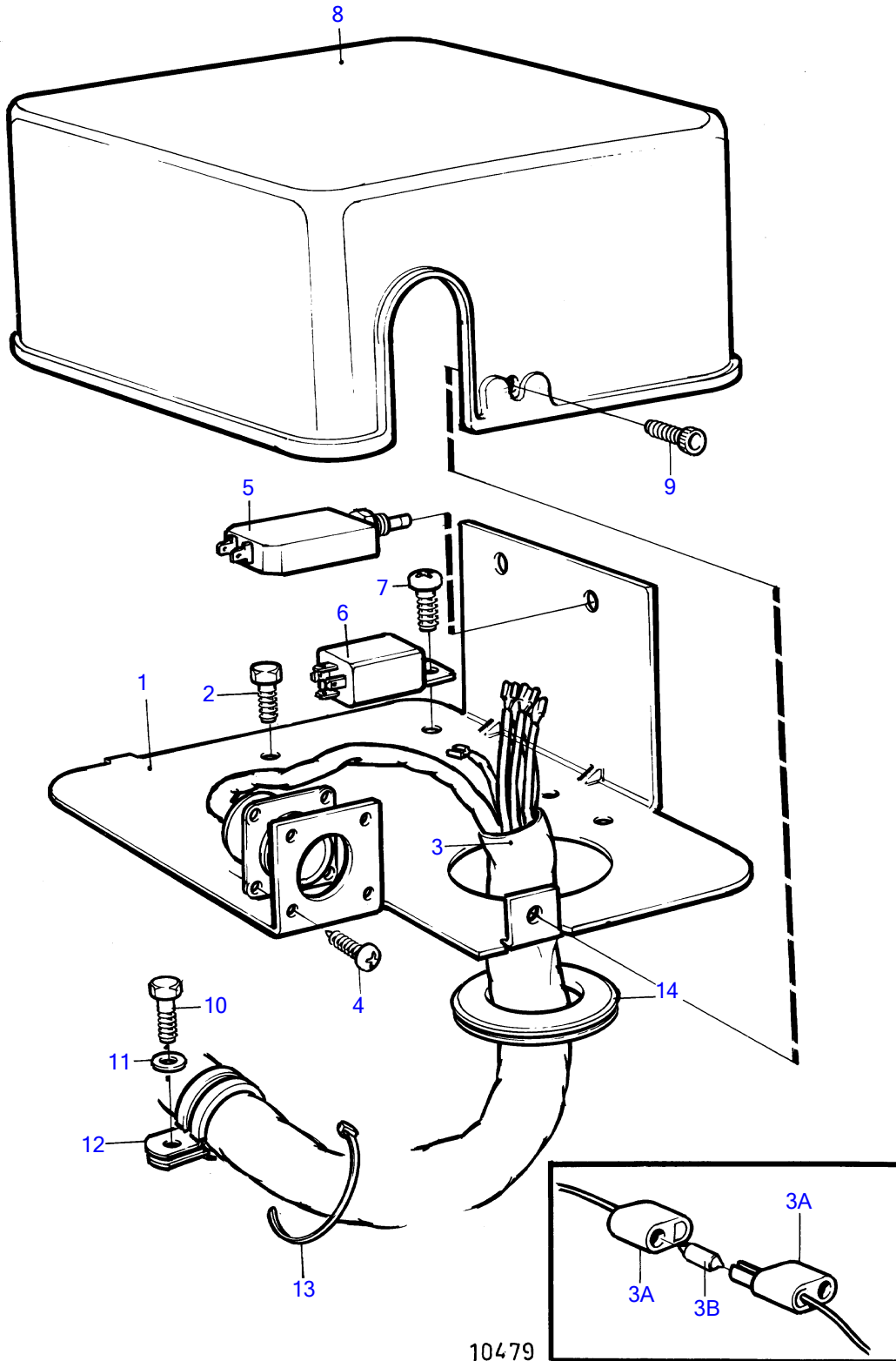


TAMD41A



10479

TAMD41A

REF	PART NO.	QTY	DESCRIPTION	NOTES
1	838852	1	Bracket	
2	965175	3	Flange screw	
3	(859049)	1	Cable trunk	24V, Obsolete part
3A	966334	1	• Fuse holder	Included in cable unit 859049.
3B	11433	1	• Fuse	Included in cable unit 859049., For exhaust pressure regulator, 24V
4	955119	4	Cross recessed screw	
5	966689	2	Fuse	
6	838955	1	Relay	24V,50A
	837878	3	Relay	24V,20A
7	956090	1	Cross recessed screw	
	956074	2	Cross recessed screw	
8	838808	1	Cover	
9	846736	1	Lock screw	
10		2	screw	
11		2	washer	
12	949786	2	Clamp	
13	948210	8	Cable tie	
14		1	bushing	