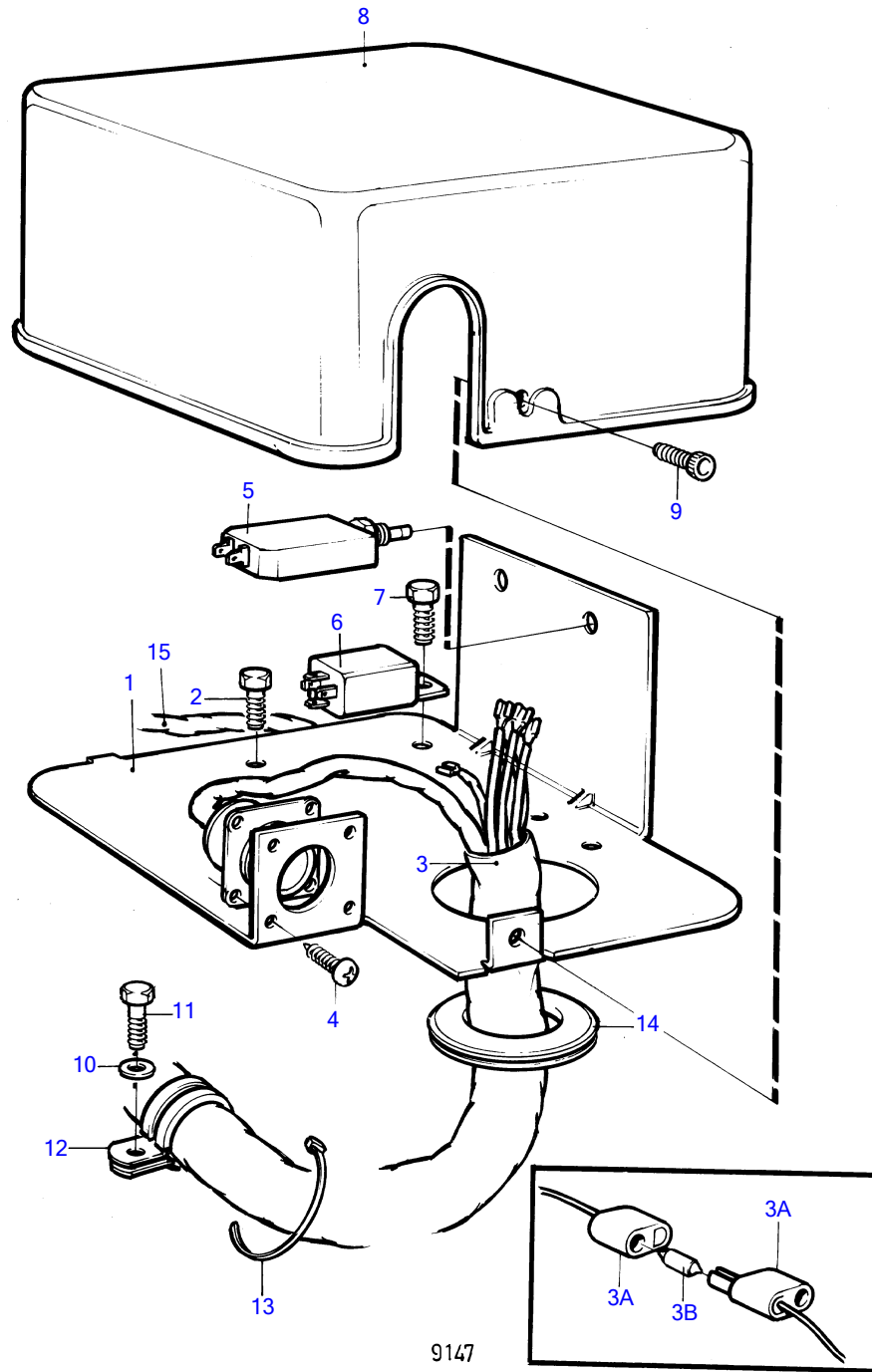


TMD41A



TMD41A

REF	PART NO.	QTY	DESCRIPTION	NOTES
1	838852	1	Bracket	
2	965175	3	Flange screw	
3	858757	1	Cable trunk	12V, repl by 859226
	859226	1	Cable trunk	12V
	966334	1	• Fuse holder	Included in cable unit 859226
	942785	1	• Fuse	For exhaust pressure regulator, Included in cable unit 859226, 12V
4	955119	4	Cross recessed screw	
5	966689	1	Fuse	
6	846762	1	Relay	12V 50A
	853545	1	Relay kit	(853544) 12V 30A
7	956090	1	Cross recessed screw	
	956074	1	Cross recessed screw	
8	838808	1	Cover	
9	846736	1	Lock screw	
10	942767	1	Toothed washer	
11	946440	1	Flange screw	
12	949786	2	Clamp	
13	948210	X	Cable tie	
14		1	bushing	
15		1	ground cable	