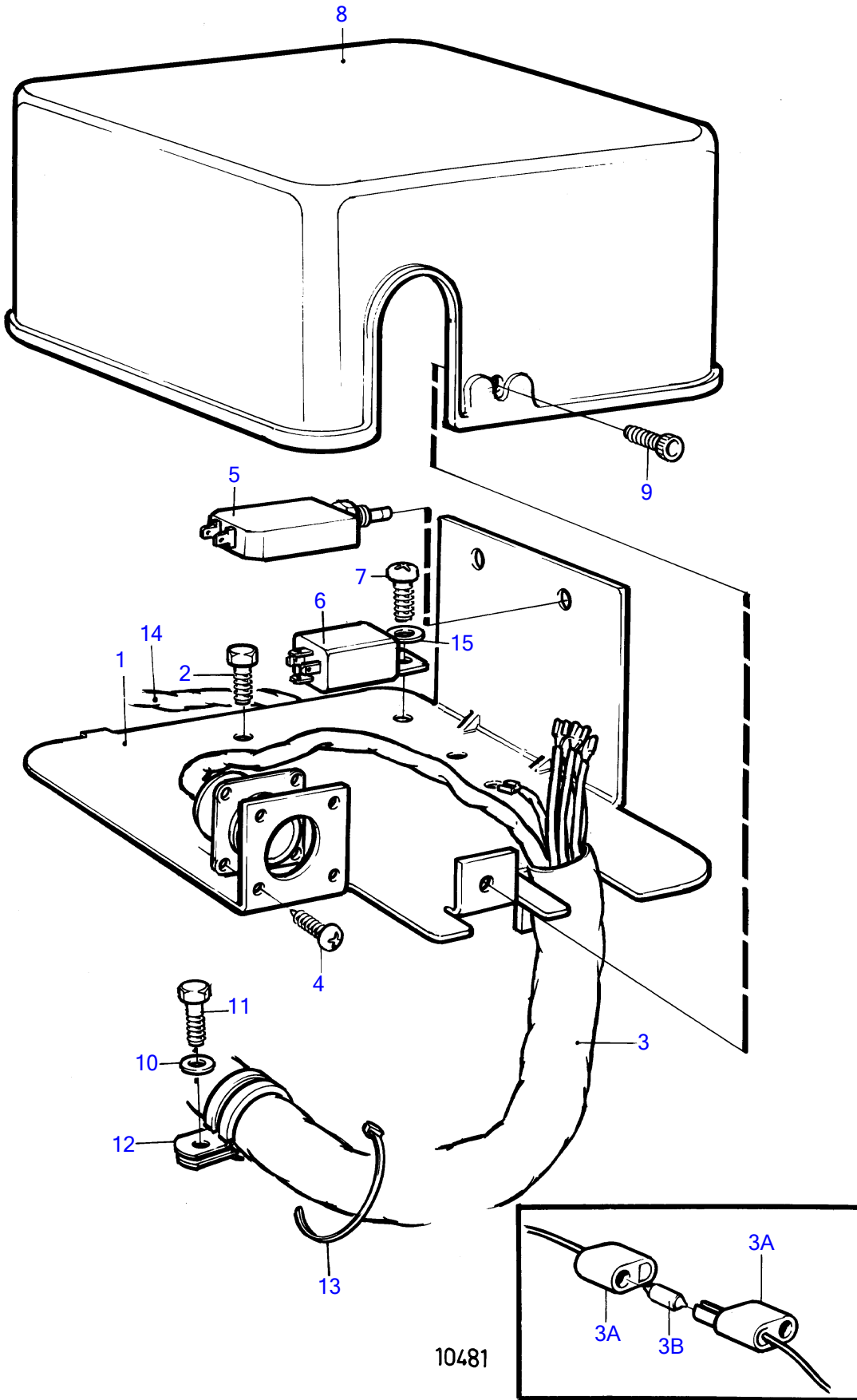


TMD41B



10481

TMD41B

REF	PART NO.	QTY	DESCRIPTION	NOTES
1	838852	1	Bracket	SN-2204134609
	860366	1	Bracket	SN2204134610-
2	965175	3	Flange screw	
3	859226	1	Cable trunk	SN-2204134609
				SN-2204134609
	860022	1	Wiring harness	SN2204134610-
				SN2204134610-
3A	966334	1	• Fuse holder	For 859226
3B	966689	1	• Fuse	12V
4	955119	4	Cross recessed screw	
5	966689	1	Fuse	
6	846762	1	Relay	12V 50A SN-2204134609
	860339	1	Relay	12V 50A SN2204134610-
				SN-2204134609
				SN2204134610-
7	956090	1	Cross recessed screw	For 846762
	956074	1	Cross recessed screw	For 860339
8	838808	1	Cover	
9	846736	1	Lock screw	
10	942767	1	Toothed washer	
11	946440	1	Flange screw	
12	949786	2	Clamp	
13	948210	X	Cable tie	
14		1	ground cable	
15	940090	1	Washer	For 860339