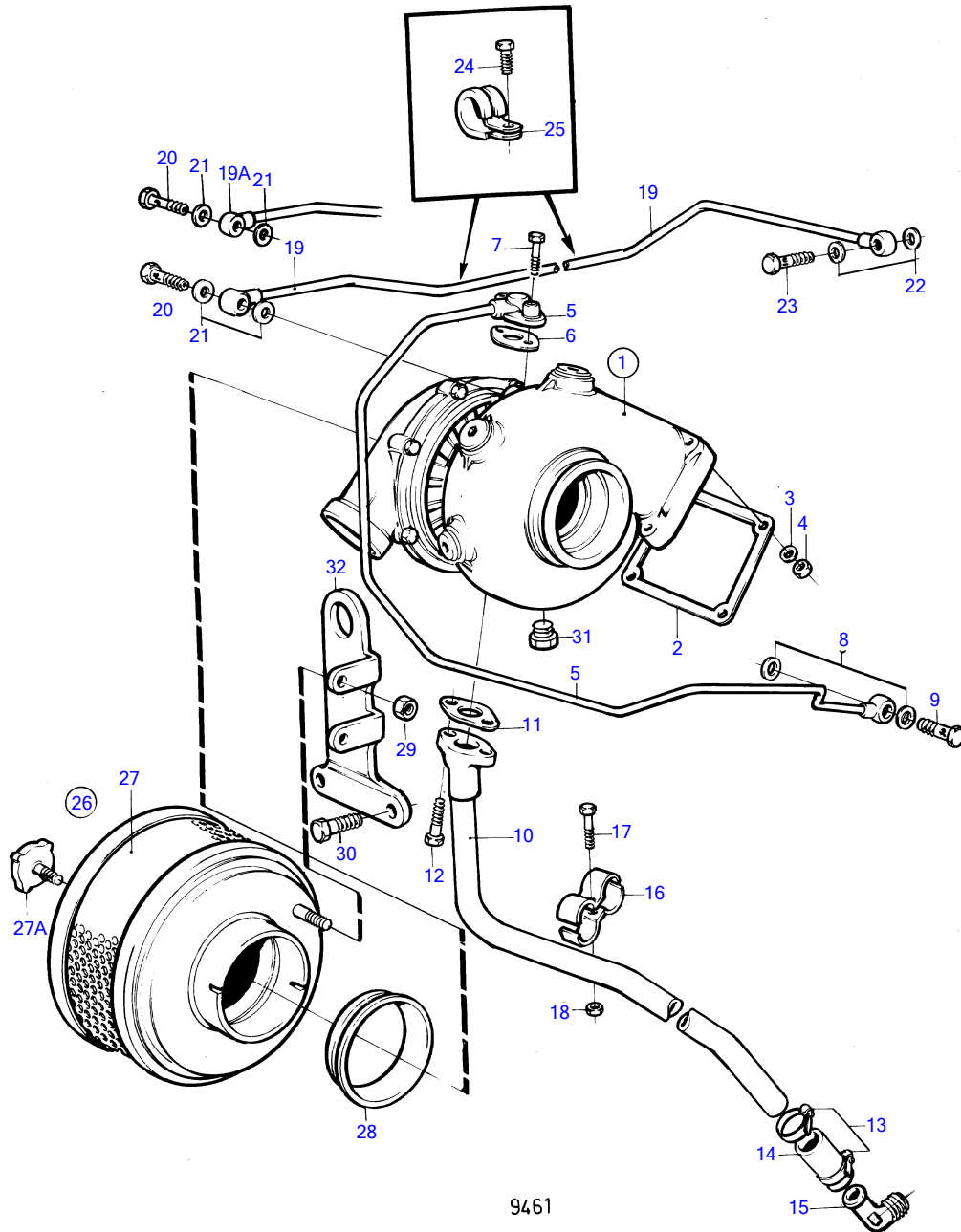


TAMD41A



TAMD41A

| REF | PART NO. | QTY | DESCRIPTION         | SEE SEC. | NOTES  |
|-----|----------|-----|---------------------|----------|--|
| 1   | 838697   | 1   | Turbocharger        | 19466    | Also available as an exchange part.                                    |
| 2   | 859111   | 1   | Gasket              |          |  |
| 3   | 955895   | 4   | Washer              |          |  |
| 4   | 940183   | 4   | Hexagon nut         |          |  |
| 5   | 838869   | 1   | Oil pressure pipe   |          |  |
| 6   | 420641   | 1   | Gasket              |          |  |
| 7   | 946671   | 1   | Flange screw        |          | L=30mm   |
|     | 945444   | 1   | Flange screw        |          | L=25mm   |
| 8   | 969011   | 2   | Gasket              |          | (18671)  |
| 9   | 25167    | 1   | Hollow screw        |          |  |
| 10  | 838820   | 1   | Oil return pipe     |          |  |
| 11  | 860105   | 1   | Gasket              |          |  |
| 12  | 945444   | 2   | Flange screw        |          |  |
| 13  | 943474   | 2   | Hose clamp          |          |  |
| 14  | 466328   | 1   | Rubber hose         |          |  |
| 15  | 843879   | 1   | Elbow nipple        |          |  |
| 16  | 820851   | 2   | Clamp               |          |  |
| 17  | 946544   | 1   | Flange screw        |          |  |
| 18  | 945407   | 1   | Flange nut          |          |  |
| 19  | 838743   | 1   | Tube                | 19500    | Replaced by air VENT hose 860230, 1ea plug 960629 and 1ea gasket 11994 |
|     |          |     | • Bulletin 44-14    | 44-14-EN | Venting Pipe   |
| 19A | 860230   | 1   | Air vent hose       |          | Turbo-heat exchanger-thermostat housing                                |
| 20  | 846216   | 1   | Hollow screw        |          |  |
| 21  | 11994    | 3   | Gasket              |          |  |
| 22  | 18665    | 1   | Gasket              |          |  |
| 23  | 969299   | 1   | Hollow screw        |          | (74040)  |
| 24  | 965175   | 2   | Flange screw        |          |  |
| 25  | 952624   | 2   | Clamp               |          |  |
| 26  | 838829   | 1   | Bracket             |          |  |
| 27  | 946472   | 2   | Flange screw        |          |  |
| 27A | 859729   | 1   | Knob                |          |  |
| 28  | 838674   | 1   | Air filter          |          |  |
| 29  | 858488   | 1   | • Air filter insert |          |  |
| 30  | 859729   | 1   | • Knob              |          |  |
| 31  | 192134   | 1   | Plug                |          |  |
| 32  | 945407   | 2   | Flange nut          |          |  |