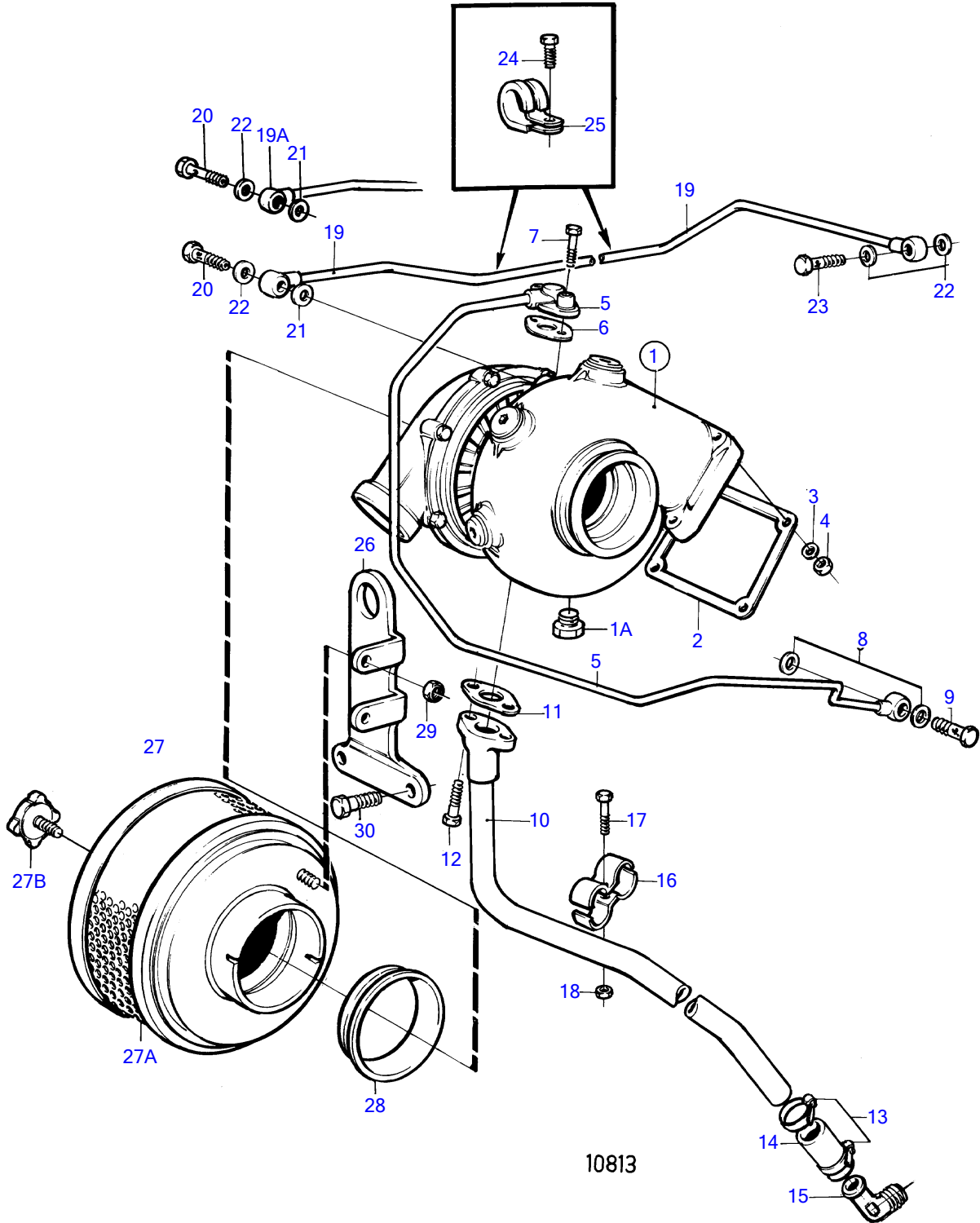


D41A



10813

D41A

REF	PART NO.	QTY	DESCRIPTION	SEE SEC.	NOTES
1	838697	1	Turbocharger	19466	Also available as an exchange part.
1A	192134	1	Plug		
2	859111	1	Gasket		(843009)
3	955895	4	Washer		
4	940183	4	Hexagon nut		
5	838869	1	Oil pressure pipe		
6	420641	1	Gasket		(466393)
7	946671	1	Flange screw		L=30mm
	945444	1	Flange screw		L=25mm
8	969011	2	Gasket		(18671)
9	25167	1	Hollow screw		
10	838820	1	Oil return pipe		
11	860105	1	Gasket		
12	945444	2	Flange screw		
13	943474	2	Hose clamp		
14	466328	1	Rubber hose		
15	843879	1	Elbow nipple		
16	820851	2	Clamp		
17	946544	1	Flange screw		
18	945407	1	Flange nut		
19	838743	1	Tube	19499	Replaced by air VENT hose 860230,1ea plug 960629 and 1ea gasket 11994
			• Bulletin 44-14	44-14-EN	Venting Pipe
19A	860230	1	Air vent hose		Turbo-heat exchanger-thermostat housing
20	846216	1	Hollow screw		
21	18665	1	Gasket		
22	11994	3	Gasket		
23	969299	1	Hollow screw		(74040)
24	965175	2	Flange screw		
25	952624	2	Clamp		
26	838829	1	Bracket		
27	838674	1	Air filter		
27A	858488	1	• Air filter insert		
27B	859729	1	• Knob		
28	838855	1	Sealing ring		
29	945407	2	Flange nut		
30	946329	2	Flange screw		L=25mm