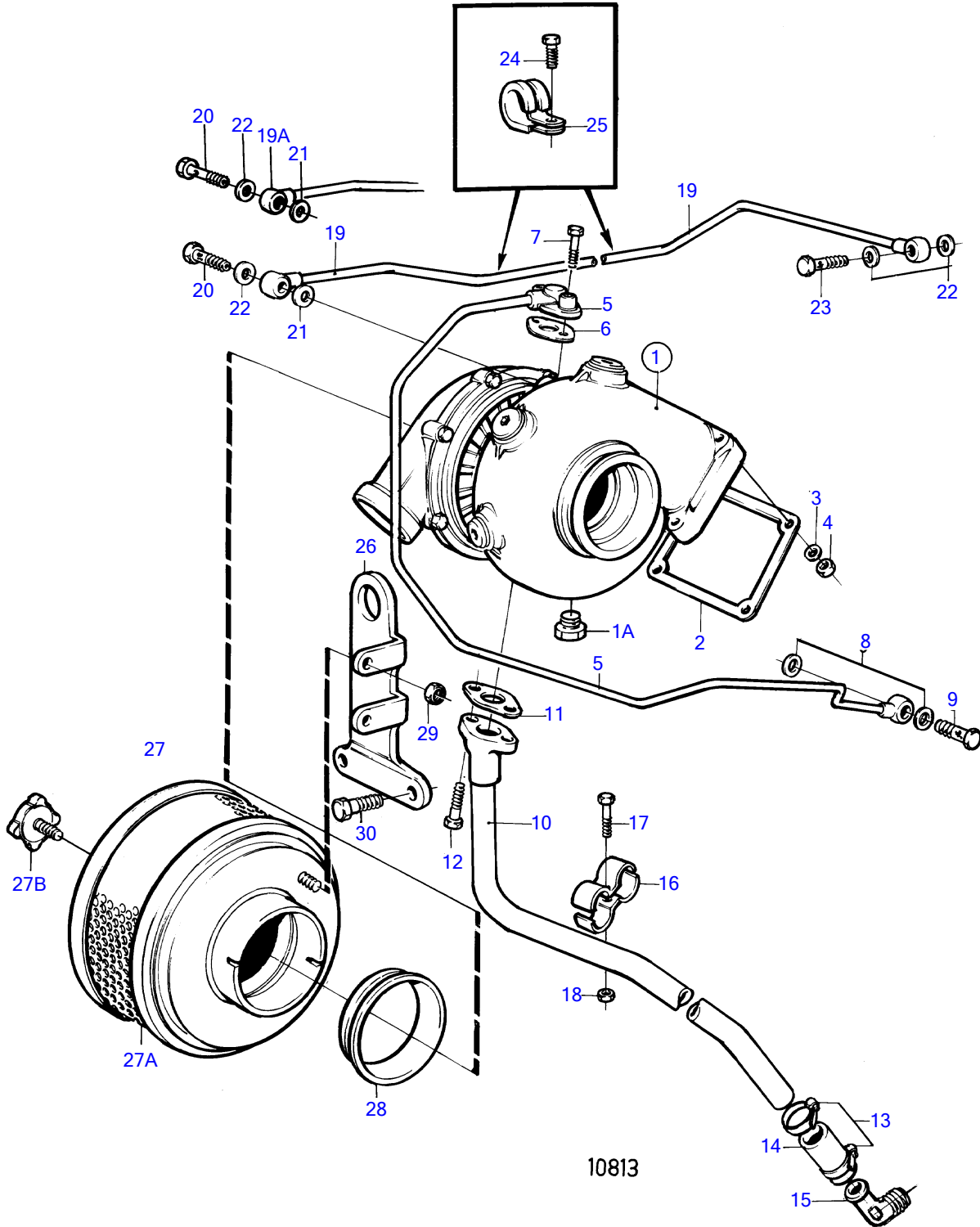


D41A



D41A

| REF | PART NO. | QTY | DESCRIPTION | SEE SEC. | NOTES |
|-----|----------|-----|---------------------|----------|--|
| 1 | 838697 | 1 | Turbocharger | 19466 | Also available as an exchange part. |
| 1A | 192134 | 1 | Plug | | |
| 2 | 859111 | 1 | Gasket | | (843009) |
| 3 | 955895 | 4 | Washer | | |
| 4 | 940183 | 4 | Hexagon nut | | |
| 5 | 838869 | 1 | Oil pressure pipe | | |
| 6 | 420641 | 1 | Gasket | | (466393) |
| 7 | 946671 | 1 | Flange screw | | L=30mm |
| | 945444 | 1 | Flange screw | | L=25mm |
| 8 | 969011 | 2 | Gasket | | (18671) |
| 9 | 25167 | 1 | Hollow screw | | |
| 10 | 838820 | 1 | Oil return pipe | | |
| 11 | 860105 | 1 | Gasket | | |
| 12 | 945444 | 2 | Flange screw | | |
| 13 | 943474 | 2 | Hose clamp | | |
| 14 | 466328 | 1 | Rubber hose | | |
| 15 | 843879 | 1 | Elbow nipple | | |
| 16 | 820851 | 2 | Clamp | | |
| 17 | 946544 | 1 | Flange screw | | |
| 18 | 945407 | 1 | Flange nut | | |
| 19 | 838743 | 1 | Tube | 19499 | Replaced by air VENT hose 860230, 1ea plug 960629 and 1ea gasket 11994 |
| | | | • Bulletin 44-14 | 44-14-EN | Venting Pipe |
| 19A | 860230 | 1 | Air vent hose | | Turbo-heat exchanger-thermostat housing |
| 20 | 846216 | 1 | Hollow screw | | |
| 21 | 18665 | 1 | Gasket | | |
| 22 | 11994 | 3 | Gasket | | |
| 23 | 969299 | 1 | Hollow screw | | (74040) |
| 24 | 965175 | 2 | Flange screw | | |
| 25 | 952624 | 2 | Clamp | | |
| 26 | 838829 | 1 | Bracket | | |
| 27 | 838674 | 1 | Air filter | | |
| 27A | 858488 | 1 | • Air filter insert | | |
| 27B | 859729 | 1 | • Knob | | |
| 28 | 838855 | 1 | Sealing ring | | |
| 29 | 945407 | 2 | Flange nut | | |
| 30 | 946329 | 2 | Flange screw | | L=25mm |