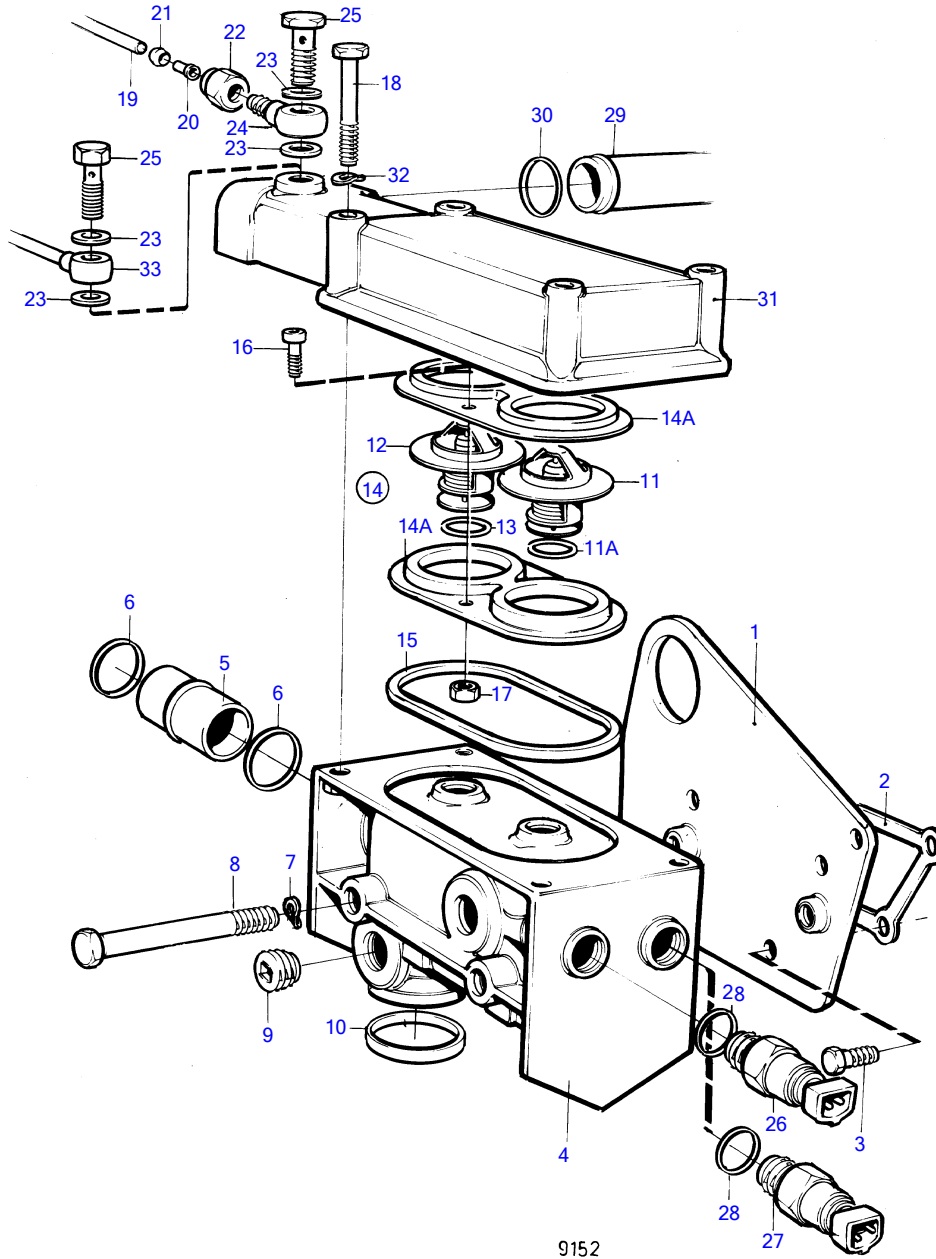


TMD41A, D41A, TAMD41A, AQAD41A, AD41A



TMD41A, D41A, TAMD41A, AQAD41A, AD41A

| REF | PART NO. | QTY | DESCRIPTION | SEE SEC. | NOTES |
|-----|----------|-----|--------------------|----------|---|
| 1 | 838703 | 1 | Adapter | | |
| 2 | 1542187 | 1 | Gasket | | |
| 3 | 955295 | 4 | Hexagon screw | | |
| 4 | 838704 | 1 | Thermostat housing | | |
| 5 | 838739 | 1 | Adapter | | Thermostat housing-heat exchanger. |
| 6 | 968927 | 2 | O-ring | | |
| 7 | 941907 | 2 | Spring washer | | |
| 8 | 965183 | 2 | Flange screw | | |
| 9 | 952077 | 2 | Plug | | |
| 10 | 1542198 | 1 | Sealing ring | 19443 | |
| 11 | 876128 | 1 | Thermostat kit | | (273952) 81° |
| 11A | 416033 | 1 | • Sealing ring | | |
| 12 | 875849 | 1 | Thermostat kit | | With air venting valve, 81° |
| 13 | 416033 | 1 | • Sealing ring | | |
| 14 | 876145 | 1 | Retainer kit | | |
| 14A | 859229 | 2 | • Retainer | | |
| 15 | 838807 | 1 | • Sealing ring | | |
| 16 | 963554 | 2 | • Hexagon screw | | |
| 17 | 966170 | 2 | • Lock nut | | |
| 18 | 965217 | 4 | Flange screw | | |
| 19 | 945460 | 1 | Tube | | Thermostat housing-heat exchanger., L=95mm early type |
| 20 | 944717 | 1 | Support sleeve | | Early type |
| 21 | 954364 | 1 | Sleeve | | Early type |
| 22 | 954356 | 1 | Fitting nut | | Early type |
| 23 | 11994 | 2 | Gasket | | |
| 24 | 945417 | 1 | Banjo nipple | | Early type |
| 25 | 969299 | 1 | Hollow screw | | (74040) |
| 26 | 827151 | 1 | Temperature sensor | | 12V |
| | 843325 | 1 | Temperature sensor | | 24V |
| 27 | 833927 | 1 | Thermo monitor | | 12V |
| | 858229 | 1 | Thermo monitor | | 24V |
| 28 | 957181 | 2 | Gasket | | |
| 29 | (838798) | 1 | Coolant pipe | | Heat exchanger-thermostat housing., Obsolete part |
| 30 | 968927 | 1 | O-ring | | |
| 31 | 838789 | 1 | Upper section | | |
| 32 | 941907 | 4 | Spring washer | | |
| 33 | 860230 | 1 | Air vent hose | | Turbo-heat exchanger-thermostat housing, Late type |