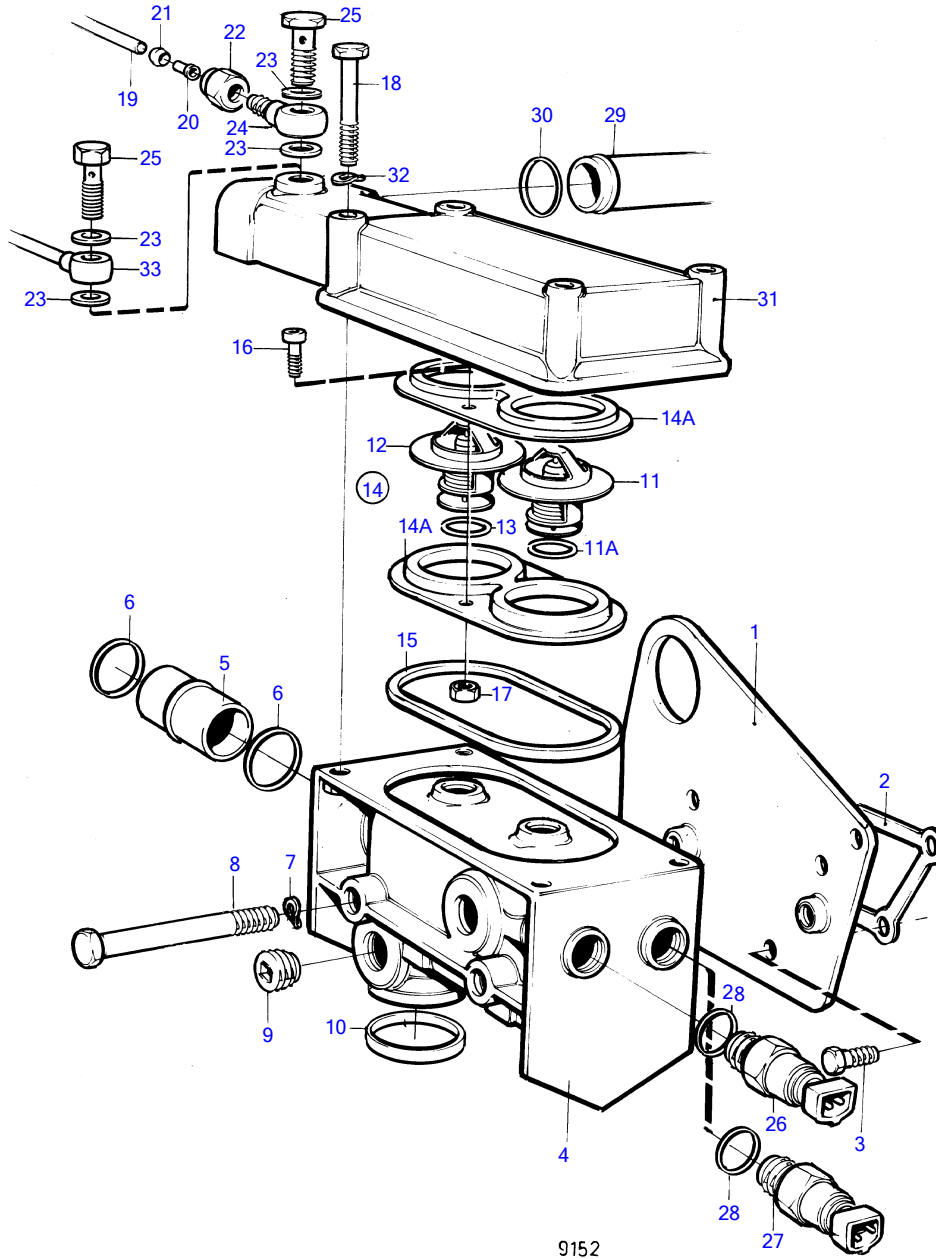


TMD41A, D41A, TAMD41A, AQAD41A, AD41A



9152

TMD41A, D41A, TAMD41A, AQAD41A, AD41A

REF	PART NO.	QTY	DESCRIPTION	SEE SEC.	NOTES
1	838703	1	Adapter		
2	1542187	1	Gasket		
3	955295	4	Hexagon screw		
4	838704	1	Thermostat housing		
5	838739	1	Adapter		Thermostat housing-heat exchanger.
6	968927	2	O-ring		
7	941907	2	Spring washer		
8	965183	2	Flange screw		
9	952077	2	Plug		
10	1542198	1	Sealing ring	19443	
11	876128	1	Thermostat kit		(273952) 81°
11A	416033	1	• Sealing ring		
12	875849	1	Thermostat kit		With air venting valve, 81°
13	416033	1	• Sealing ring		
14	876145	1	Retainer kit		
14A	859229	2	• Retainer		
15	838807	1	• Sealing ring		
16	963554	2	• Hexagon screw		
17	966170	2	• Lock nut		
18	965217	4	Flange screw		
19	945460	1	Tube		Thermostat housing-heat exchanger., L=95mm early type
20	944717	1	Support sleeve		Early type
21	954364	1	Sleeve		Early type
22	954356	1	Fitting nut		Early type
23	11994	2	Gasket		
24	945417	1	Banjo nipple		Early type
25	969299	1	Hollow screw		(74040)
26	827151	1	Temperature sensor		12V
	843325	1	Temperature sensor		24V
27	833927	1	Thermo monitor		12V
	858229	1	Thermo monitor		24V
28	957181	2	Gasket		
29	(838798)	1	Coolant pipe		Heat exchanger-thermostat housing., Obsolete part
30	968927	1	O-ring		
31	838789	1	Upper section		
32	941907	4	Spring washer		
33	860230	1	Air vent hose		Turbo-heat exchanger-thermostat housing, Late type