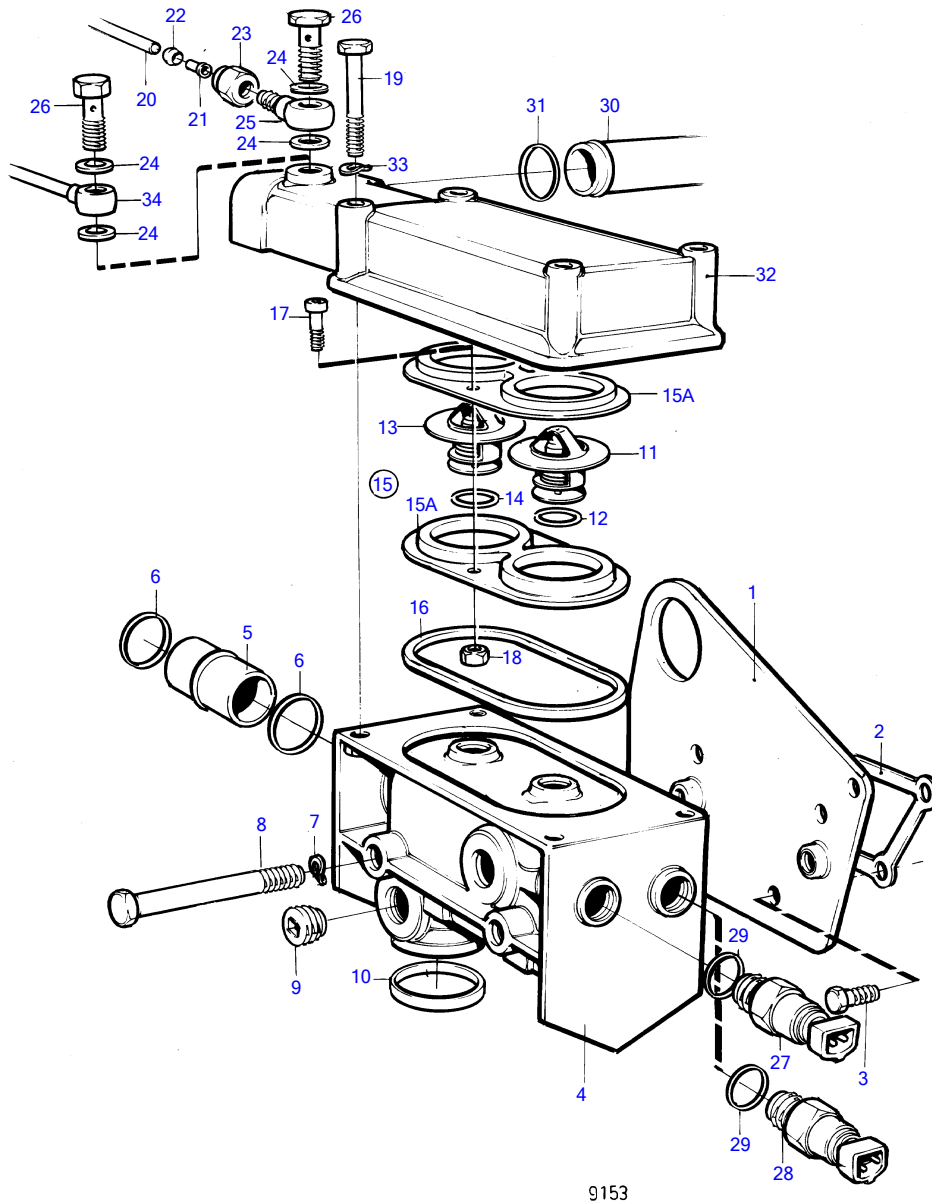


TAMD41A



TAMD41A

REF	PART NO.	QTY	DESCRIPTION	SEE SEC.	NOTES
1	838703	1	Adapter		
2	1542187	1	Gasket		
3	955295	4	Hexagon screw		
4	838704	1	Thermostat housing		
5	838739	1	Adapter		
6	968927	2	O-ring		
7	941907	2	Spring washer		
8	965183	2	Flange screw		
9	952077	2	Plug		
10	1542198	1	Sealing ring	19445	
11	876128	1	Thermostat kit		(273952) 81°
12	416033	1	• Sealing ring		
13	875849	1	Thermostat kit		With air venting valve, 81°
14	416033	1	• Sealing ring		
15	876145	1	Retainer kit		
15A	859229	2	• Retainer		
16	838807	1	• Sealing ring		
17	963554	2	• Hexagon screw		
18	966170	2	• Lock nut		
19	965217	4	Flange screw		
20	945460	1	Tube, pipe	19500	L=95mm early type
21	944717	1	Support sleeve		Early type
22	954364	1	Sleeve		Early type
23	954356	1	Fitting nut		Early type
24	11994	2	Gasket		
25	945417	1	Banjo nipple		Early type
26	969299	1	Hollow screw		(74040)
27	862154	1	Temperature sensor		24V
28	858229	1	Thermo monitor		24V
29	957181	2	Gasket		
30	(838798)	1	Coolant pipe		Heat exchanger-thermostat housing., Obsolete part
31	968927	1	O-ring		
32	838789	1	Upper section		
33	941907	4	Spring washer		
34	860230	1	Air vent hose		Turbo-heat exchanger-thermostat housing, Late type