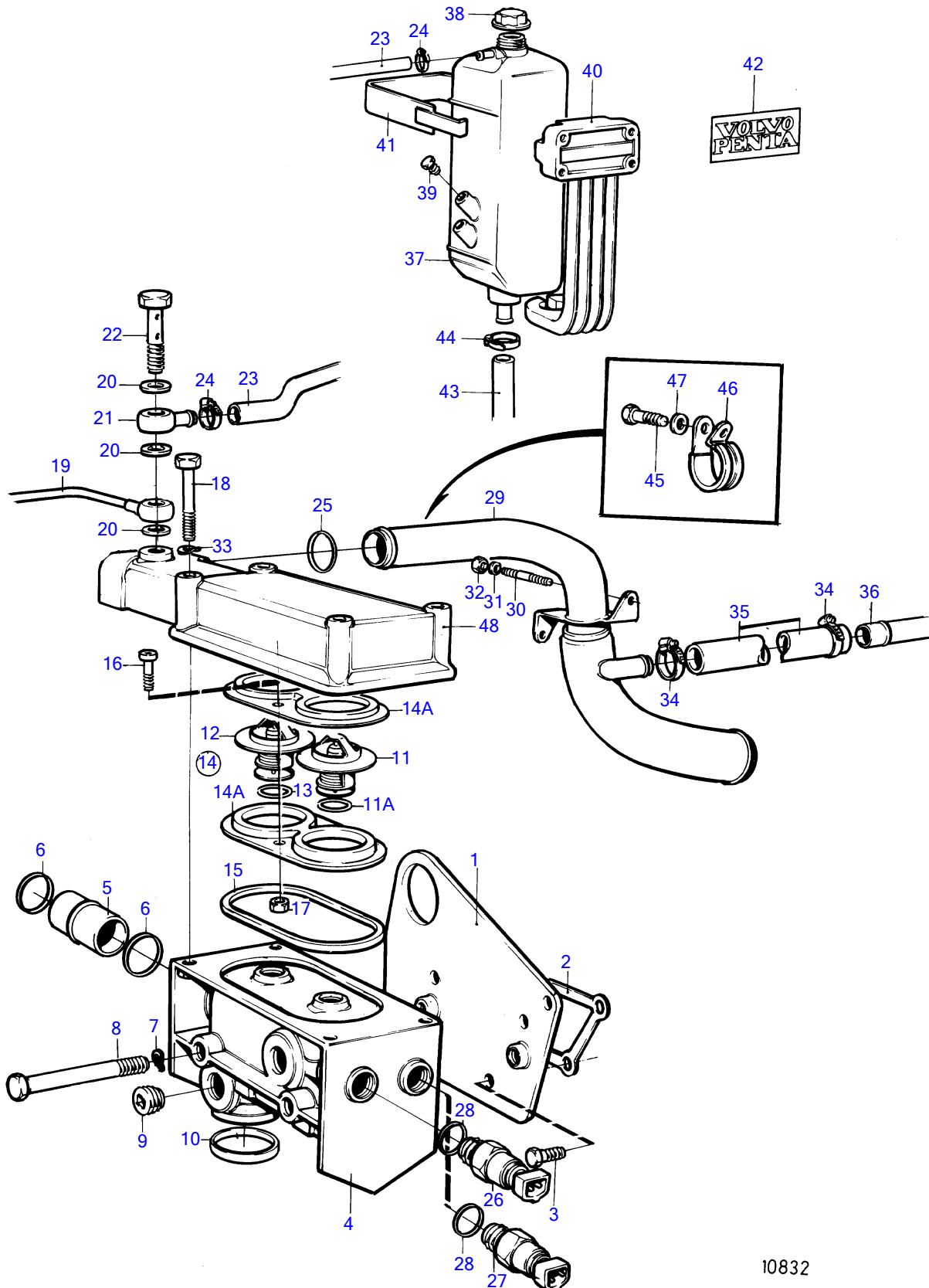


TAMD41A



10832

## TAMD41A

REF	PART NO.	QTY	DESCRIPTION	NOTES
1	838703	1	Adapter	
2	1542187	1	Gasket	
3	955295	4	Hexagon screw	
4	838704	1	Thermostat housing	
5	838739	1	Adapter	
6	968927	2	O-ring	
7	941907	2	Spring washer	
8	965183	2	Flange screw	
9	952077	2	Plug	
10	1542198	1	Sealing ring	**
11	876128	1	Thermostat kit	(273952) 81°
11A	416033	1	• Sealing ring	
12	875849	1	Thermostat kit	With air venting valve, 81°
13	416033	1	• Sealing ring	
14	876145	1	Retainer kit	
14A	859229	2	• Retainer	
15	838807	1	• Sealing ring	
16	963554	2	• Hexagon screw	
17	966170	2	• Lock nut	
18	965217	4	Flange screw	
19	858898	1	Air vent pipe	Turbo-thermostat housing, Repl by 860215
	860215	1	Air vent hose	Turbo-heat exchanger-thermostat housing
20	11994	3	Gasket	
21	858750	1	Banjo nipple	
22	947975	1	Hollow screw	
23	943366	X	Rubber hose	
24	943470	2	Hose clamp	
25	968927	1	O-ring	
26	827151	1	Temperature sensor	12V
27	833927	1	Thermo monitor	12V
28	957181	2	Gasket	
29	(858519)	1	Coolant pipe	Obsolete part
30	953001	2	Stud	
31	941907	2	Spring washer	
32	971095	2	Flange nut	(945409)
33	941907	4	Spring washer	
34	943475	2	Hose clamp	
35	944386	X	Rubber hose	L=325mm
36	838780	1	Coolant pipe	After cooler-outlet
37	843759	1	Expansion tank	
38	844624	1	Pressure cap	
39	947760	2	Flange screw	(836268)
40	843260	1	Bracket	
41	843266	1	Clamp	
42		1	Decal	Replaced by decal kit 876234
	876234	1	Decal set	
43	952969	X	Hose	Expansion tank-inlet
44	943472	1	Hose clamp	
45	946544	1	Flange screw	
46	967645	1	Clamp	
47	955892	1	Washer	
48	838789	1	Upper section	

7745630-26-19478

10832

Upd:2011-09-27