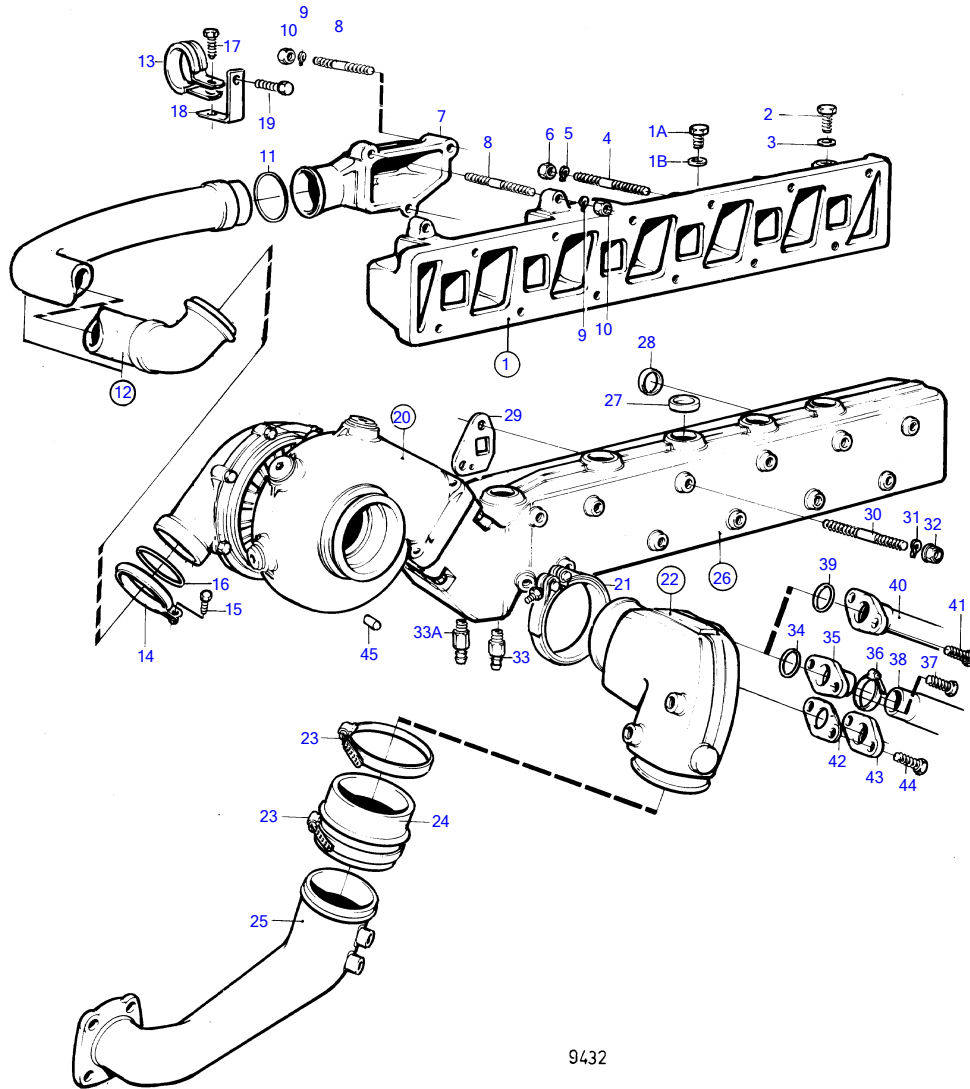


TMD41A



TMD41A

| REF | PART NO. | QTY | DESCRIPTION | SEE SEC. | NOTES |
|-----|----------|-----|------------------|----------|---------------------------------------|
| 1 | 838690 | 1 | Inlet pipe | | Repl by 859300 |
| | 859300 | 1 | Inlet pipe | | |
| 1A | 960634 | 2 | • Plug | | For 859300 |
| 1B | 947627 | 2 | • Gasket | | For 859300 |
| 2 | 960632 | 1 | Plug | | |
| 3 | 947624 | 1 | Gasket | | |
| 4 | 924068 | 9 | Stud | | L=50mm |
| | 17942 | 1 | Stud | | L=110mm |
| 5 | 941907 | 10 | Spring washer | | |
| 6 | 945408 | 10 | Flange nut | | |
| 7 | 838857 | 1 | Pipe connection | | |
| 8 | 953049 | 1 | Stud | | L=50mm |
| 9 | 941907 | 3 | Spring washer | | |
| 10 | 945408 | 3 | Flange nut | | |
| 11 | 471449 | 1 | O-ring | | |
| 12 | 838867 | 1 | Connection pipe | | |
| 13 | 32447 | 1 | • Clamp | | |
| 14 | 838864 | 1 | V-band clamp | | |
| 15 | 947542 | 1 | Flange screw | | |
| 16 | 967944 | 1 | O-ring | | |
| 17 | 946173 | 1 | Flange screw | | |
| 18 | 838866 | 1 | Bracket | | |
| 19 | 946470 | 1 | Flange screw | | |
| 20 | 838697 | 1 | Turbocharger | 19462 | |
| 21 | 842993 | 1 | V-band clamp | | |
| 22 | 858481 | 1 | Exhaust riser | | |
| | | | • Bulletin 44-16 | 44-16-EN | Overhaul kit, Exhaust Bend |
| 22 | | | • | 19473 | |
| 24 | | | | | (858729) |
| 26 | 838687 | 1 | Exhaust pipe | | |
| 27 | 946780 | 12 | • Cap plug | | |
| 28 | 838766 | 1 | Sealing ring | | |
| 29 | 838673 | 6 | Gasket | | Repl by 876144 |
| | 876144 | 3 | Gasket kit | | |
| 30 | 953001 | 8 | Stud | | L=120mm |
| | 953002 | 2 | Stud | | L=120mm |
| | 953003 | 1 | Stud, stud bolt | | L=130mm |
| | | | | 19498 | |
| | | | | 19499 | |
| | 953007 | 1 | Stud, stud bolt | | L=150mm |
| | | | | 19498 | |
| | | | | 19499 | |
| 31 | 941908 | 12 | Spring washer | | |
| 32 | 971095 | 12 | Flange nut | | |
| 33 | 949918 | 1 | Shut-off cock | | |
| 33A | 947893 | 1 | Shut-off cock | | |
| 34 | 842913 | 1 | Sealing ring | | |
| 35 | 858659 | 1 | Hose connection | | |
| 36 | 943475 | 1 | Hose clamp | | |
| 37 | 946544 | 2 | Flange screw | | |
| 38 | 944386 | 1 | Rubber hose | | Heat exchanger-exhaust bend., L=335mm |
| 42 | 859002 | 1 | Gasket | | (843042) |
| 43 | 844093 | 1 | Flange | | |
| 44 | 946544 | 2 | Flange screw | | |
| 45 | 951930 | 1 | Spring pin | | |