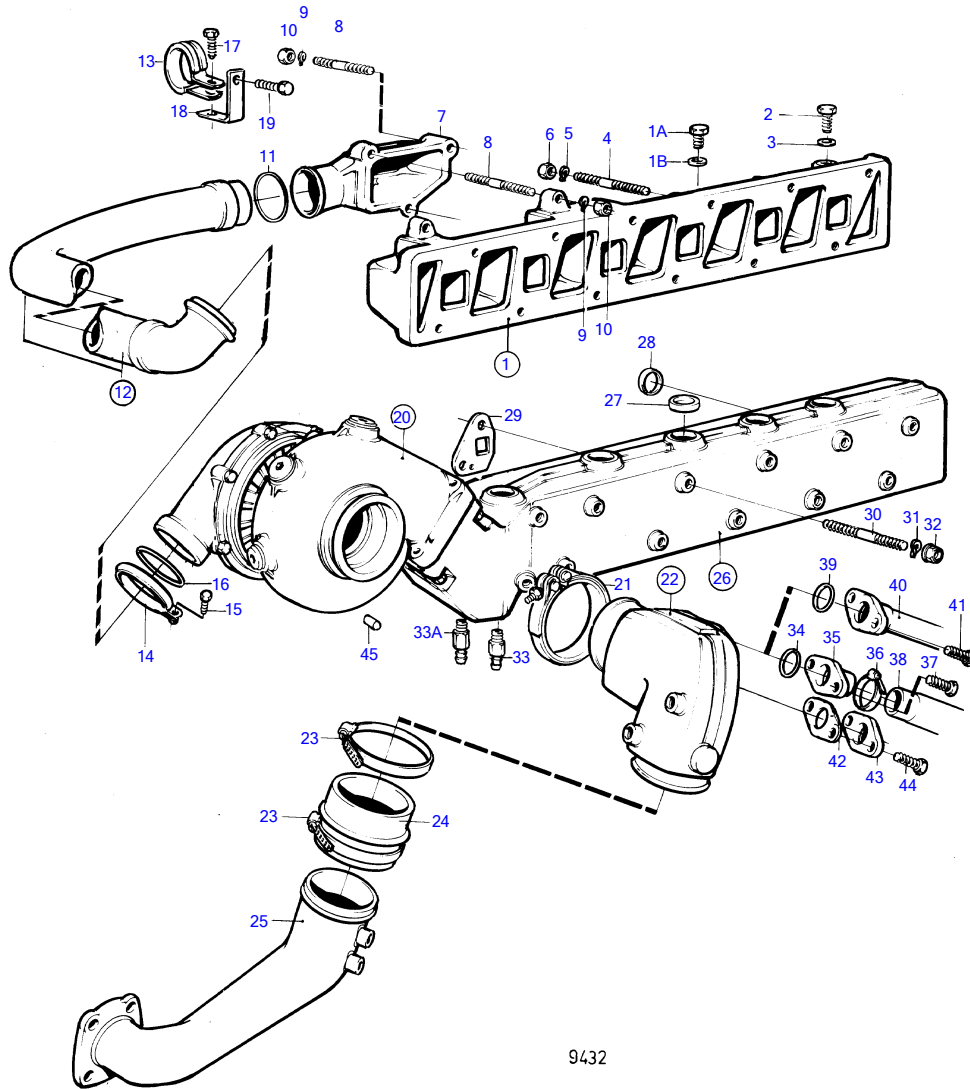


TMD41A



TMD41A

REF	PART NO.	QTY	DESCRIPTION	SEE SEC.	NOTES
1	838690	1	Inlet pipe		Repl by 859300
	859300	1	Inlet pipe		
1A	960634	2	• Plug		For 859300
1B	947627	2	• Gasket		For 859300
2	960632	1	Plug		
3	947624	1	Gasket		
4	924068	9	Stud		L=50mm
	17942	1	Stud		L=110mm
5	941907	10	Spring washer		
6	945408	10	Flange nut		
7	838857	1	Pipe connection		
8	953049	1	Stud		L=50mm
9	941907	3	Spring washer		
10	945408	3	Flange nut		
11	471449	1	O-ring		
12	838867	1	Connection pipe		
13	32447	1	• Clamp		
14	838864	1	V-band clamp		
15	947542	1	Flange screw		
16	967944	1	O-ring		
17	946173	1	Flange screw		
18	838866	1	Bracket		
19	946470	1	Flange screw		
20	838697	1	Turbocharger	19462	
21	842993	1	V-band clamp		
22	858481	1	Exhaust riser		
			• Bulletin 44-16	44-16-EN	Overhaul kit, Exhaust Bend
22			•	19473	
24					(858729)
26	838687	1	Exhaust pipe		
27	946780	12	• Cap plug		
28	838766	1	Sealing ring		
29	838673	6	Gasket		Repl by 876144
	876144	3	Gasket kit		
30	953001	8	Stud		L=120mm
	953002	2	Stud		L=120mm
	953003	1	Stud, stud bolt		L=130mm
				19498	
				19499	
	953007	1	Stud, stud bolt		L=150mm
				19498	
				19499	
31	941908	12	Spring washer		
32	971095	12	Flange nut		
33	949918	1	Shut-off cock		
33A	947893	1	Shut-off cock		
34	842913	1	Sealing ring		
35	858659	1	Hose connection		
36	943475	1	Hose clamp		
37	946544	2	Flange screw		
38	944386	1	Rubber hose		Heat exchanger-exhaust bend., L=335mm
42	859002	1	Gasket		(843042)
43	844093	1	Flange		
44	946544	2	Flange screw		
45	951930	1	Spring pin		