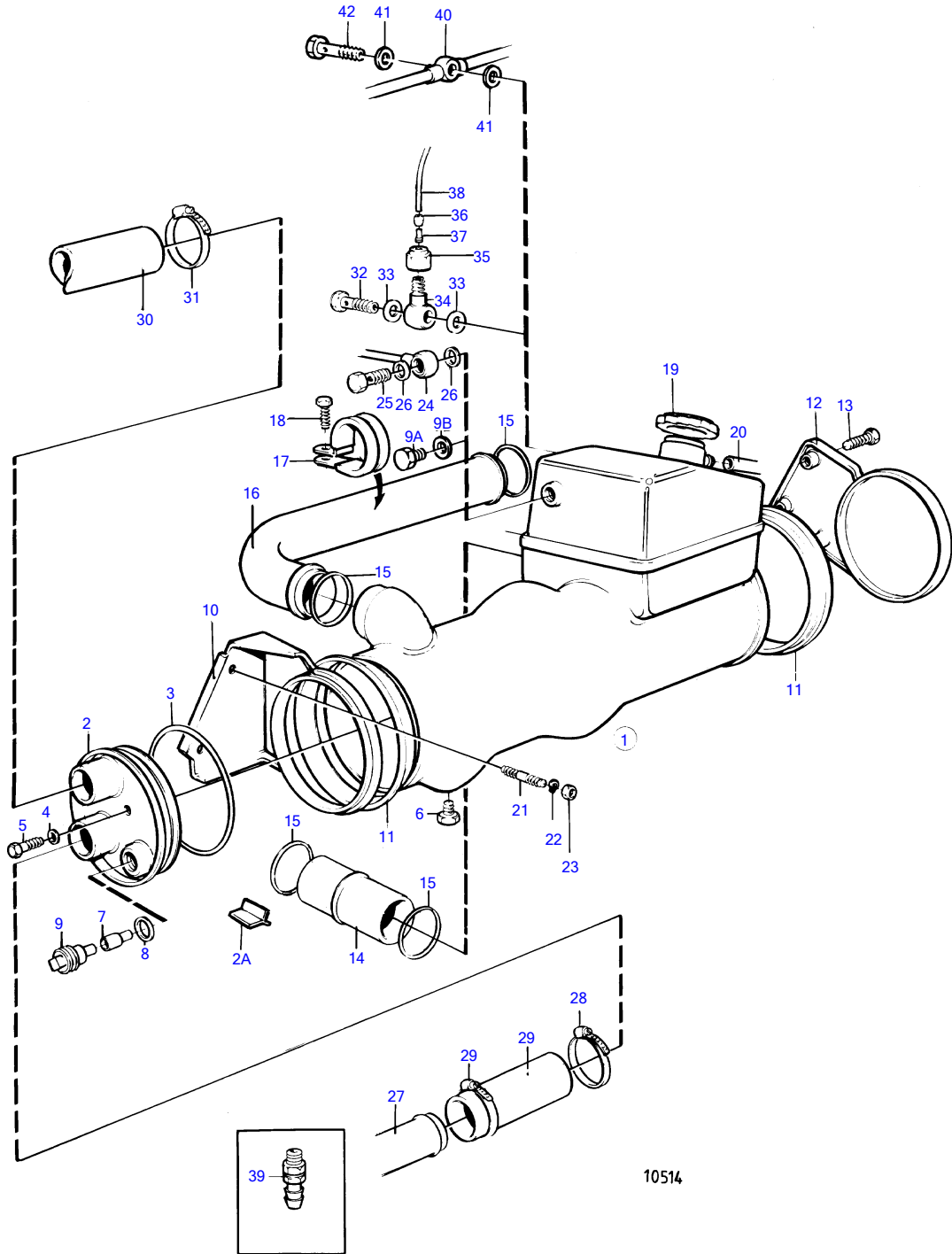


TAMD41A



## TAMD41A

REF	PART NO.	QTY	DESCRIPTION	SEE SEC.	NOTES
1	(838702)	1	Heat exchanger		Replaced by heat exchanger 860276 and air vent hose 860230, Obsolete part
			• Bulletin 44-14	44-14-EN	Venting Pipe
1	860276	1	Heat exchanger		
2	860119	1	• Cardboard tube		(858752)
2A	860127	3	• Sealing strip		
3	925027	1	• O-ring		
4	964106	1	• Gasket		
5	963567	1	• Hexagon screw		
6	192134	1	• Plug		
7	838929	1	• Anode		
8	958227	1	• O-ring		
9	858754	1	• Anchorage		
9A	960629	1	• Plug		Included in 860276
9B	11994	1	• Gasket		Included in 860276
10	838729	1	Bracket		
11	838733	2	Adapter		
12	838728	1	Bracket		
13	965185	3	Flange screw		
14	838737	1	Tube		Heat exchanger-circulation pump.
15	968927	4	O-ring		
16	(838798)	1	Coolant pipe		Heat exchanger-thermostat housing., Obsolete part
17	967645	1	Clamp		
18	946544	1	Flange screw		
19	845879	1	Pressure cap		
20	192618	X	Hose		L=700mm
21	953003	1	Stud	19471	
	953007	1	Stud	19471	
22	941908	2	Spring washer		
23	971095	2	Flange nut		(945409)
24	838743	1	Tube	19463	
			• Bulletin 44-14	44-14-EN	Venting Pipe
24					Replaced by air VENT hose 860230, 1ea plug 960629 and 1ea gasket 11994
25	969299	1	Hollow screw		(74040)
26	11994	2	Gasket		
27	838780	1	Coolant pipe		Heat exchanger-after cooler.
28	943475	2	Hose clamp		
29	944386	1	Rubber hose		L=60mm
30	944386	1	Rubber hose		Heat exchanger-exhaust bend., L=335mm
31	943475	1	Hose clamp		
32	969299	1	Hollow screw		(74040)
33	11994	2	Gasket		
34	945417	1	Banjo nipple		Only when pipe 838743 is used
35	954356	1	Fitting nut		Only when pipe 838743 is used
36	954364	1	Sleeve		Only when pipe 838743 is used
37	944717	1	Support sleeve		Only when pipe 838743 is used
38	945460	1	Tube		Only when pipe 838743 is used
39	949918	1	Shut-off cock		
40	860230	1	Air vent hose		Turbo-heat exchanger-thermostat housing
41	11994	2	Gasket		
42	969299	1	Hollow screw		