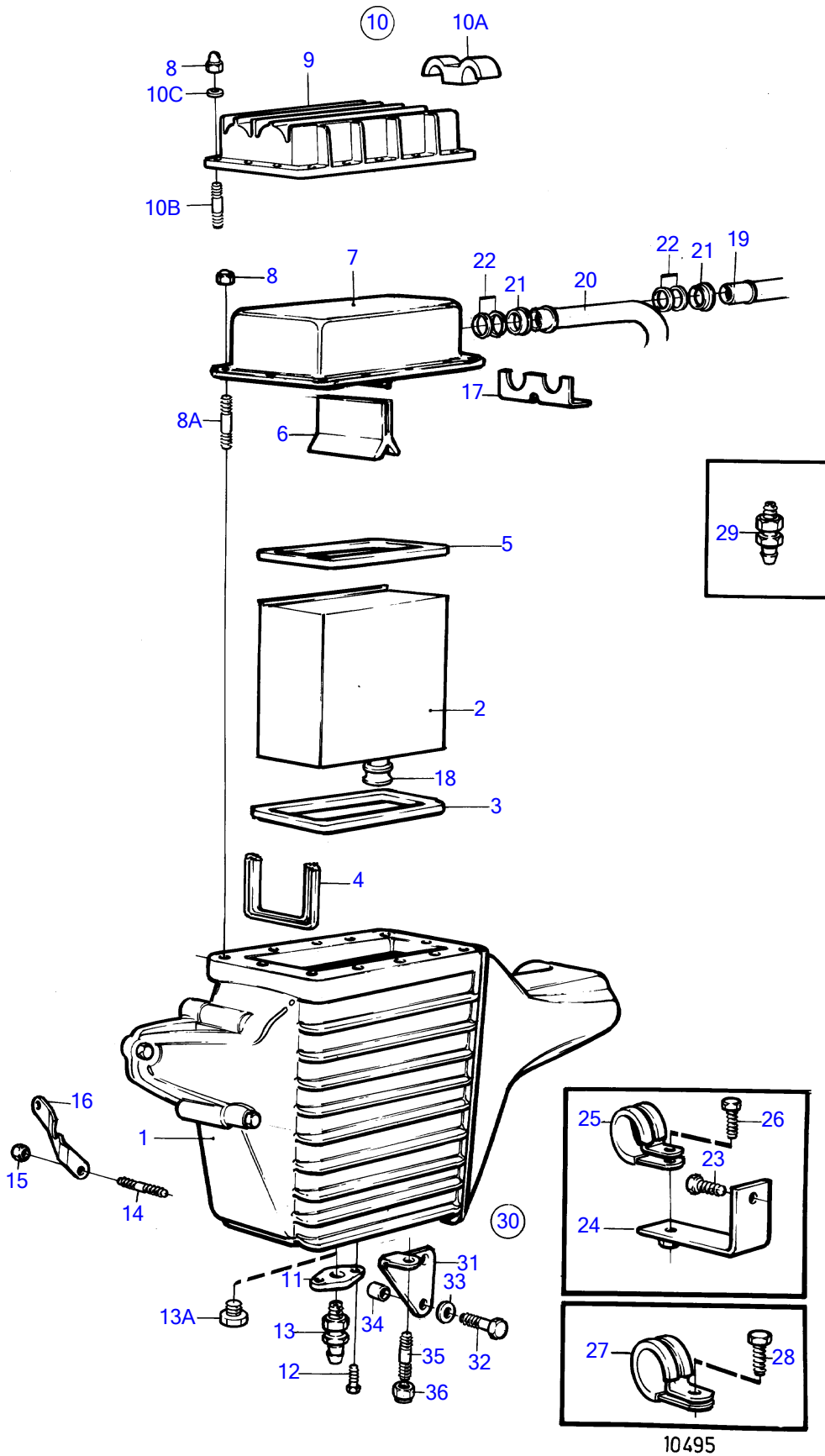


TAMD41A



TAMD41A

REF	PART NO.	QTY	DESCRIPTION	NOTES
1	838823	1	Housing, housing	SN-2204108354 Repl by 859199
	859199	1	Housing	Replaced by housing 859354 together with installation kit 859593, SN2204108355-2204119999.
	859354	1	Housing	SN2204120000-
2	838718	1	Insert	Repl by 858947
	858947	1	Insert	Repl by 859362
	859362	1	Insert	
3	838720	1	Seal	
4	838831	1	Sealing strip	
5	838720	1	Seal	
6	847573	1	Sealing strip	
7	859554	1	Cover	Replaced by cover 860135 and installation kit 876293., Metal
8	948685	12	Cap nut	
8A	953031	11	Stud	L=25mm early type
8	953032	12	Stud	L=28mm late type
9	860135	1	Cover	Plastic
10	876293	1	Mounting kit	For 860135
10A	860133	1	• Retainer	For 860135
10B	953036	11	• Stud	L=38mm
10	975132	1	• Stud	L=68mm
10C	955893	12	• Washer	
11	838830	1	Flange	SN-2204108354 Repl by 858979
12	965175	2	Flange screw	SN-2204108354
13	949918	1	Shut-off cock	Early type
13A	192134	1	Plug	Late type
14	953041	1	Stud	
15	945408	1	Flange nut	
16	(838833)	1	Support	Obsolete part
17	838754	1	Bracket	For 859554
18	858979	1	Sealing ring	
19	838814	1	Coolant pipe	Oil cooler-after cooler
20	838780	1	Coolant pipe	After cooler-heat exchanger, Product no.868421,868425,868427,868431,868433,868434
	838780	1	Coolant pipe	After cooler-outlet, Product no.868422,868426,868428
	838816	1	Coolant pipe	After cooler-reverse gear, Product no.867965,867976,868082, Replaced by pipe 860279,860280 and installation kit 859588.
	860279	1	Coolant pipe	(859585) see group 4A
21	847108	2	Pipe retainer	
22	858986	4	Sealing ring	(842744)
23	946472	1	Flange screw	
24	(838828)	1	Anchorage	Obsolete part
25	952635	2	Clamp	
26	946544	1	Flange screw	
27	952635	1	Clamp	
28		1	screw	See group 2A
29	949918	1	Shut-off cock	Product no.868421,868425,868427,868431,868433,868434, For pipe 838780, Product no.868422,868426,868428
30	859593	1	Mounting kit	
31	858965	1	• Bracket	For 859354
32	965226	2	• Flange screw	
33	955897	2	• Washer	Early type
34	912142	2	• Spacer sleeve	L=5mm
35	953041	1	• Stud	
36	945408	1	• Flange nut	