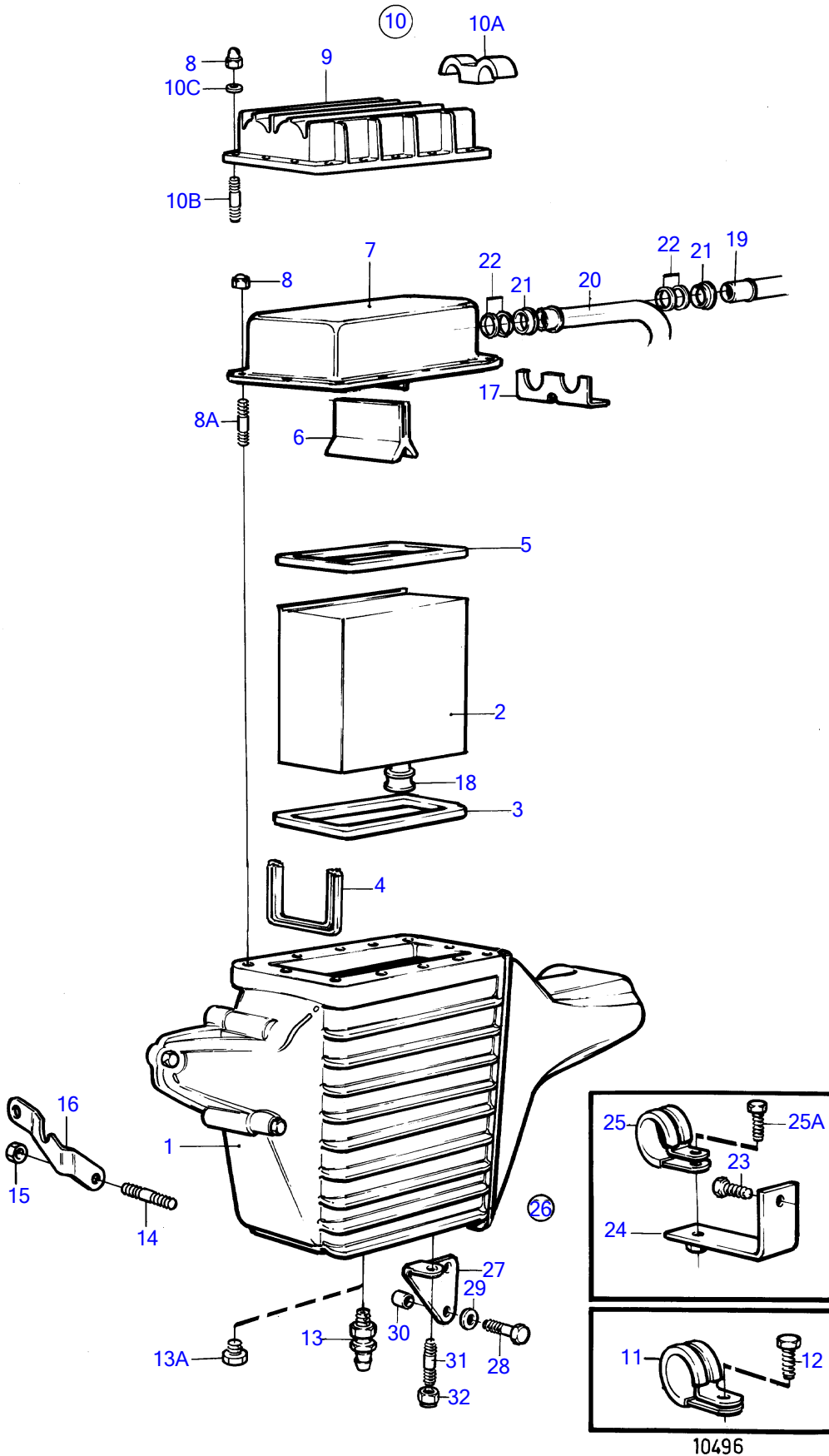


TAMD41A



TAMD41A

REF	PART NO.	QTY	DESCRIPTION	SEE SEC.	NOTES
1	859199	1	Housing		Replaced by housing 859354 together with installation kit 859593
	859354	1	Housing		SN2204120000-
2	858947	1	Insert		Repl by 859362
	859362	1	Insert		
3	838720	1	Seal		
4	838831	1	Sealing strip		
5	838720	1	Seal		
6	847573	1	Sealing strip		
7	859554	1	Cover		Replaced by cover 860135 and installation kit 876293., Metal
8	968458	12	Flange cap nut		
8A	953031	12	Stud		L=25mm early type
8	953032	12	Stud		L=28mm late type
9	860135	1	Cover		Plastic
10	876293	1	Mounting kit		For 860135
10A	860133	1	• Retainer		For 860135
10B	953036	11	• Stud		L=38mm
10	975132	1	• Stud		L=68mm
10C	955893	12	• Washer		
11	952635	1	Clamp		
12		1	screw		See group 2A
13	949918	1	Shut-off cock		Early type
13A	192134	1	Plug		Late type
14	953041	1	Stud		
15	945408	1	Flange nut		
16	(838833)	1	Support		Obsolete part
17	838754	1	Bracket		For 859554
18	858979	1	Sealing ring		
19	838814	1	Coolant pipe		Oil cooler-after cooler
20	838780	1	Coolant pipe		After cooler-heat exchanger
21	847108	2	Pipe retainer		
22	858986	4	Sealing ring		(842744)
23	946472	1	Flange screw	19463	
24	(838828)	1	Anchorage		Obsolete part
25	952635	2	Clamp		
25A	946544	1	Flange screw		
26	859593	1	Mounting kit		
27	858965	1	• Bracket		For 859354
28	965226	2	• Flange screw		
29	955897	2	• Washer		Early type
30	912142	2	• Spacer sleeve		L=5mm
31	953041	1	• Stud		
32	945408	1	• Flange nut		