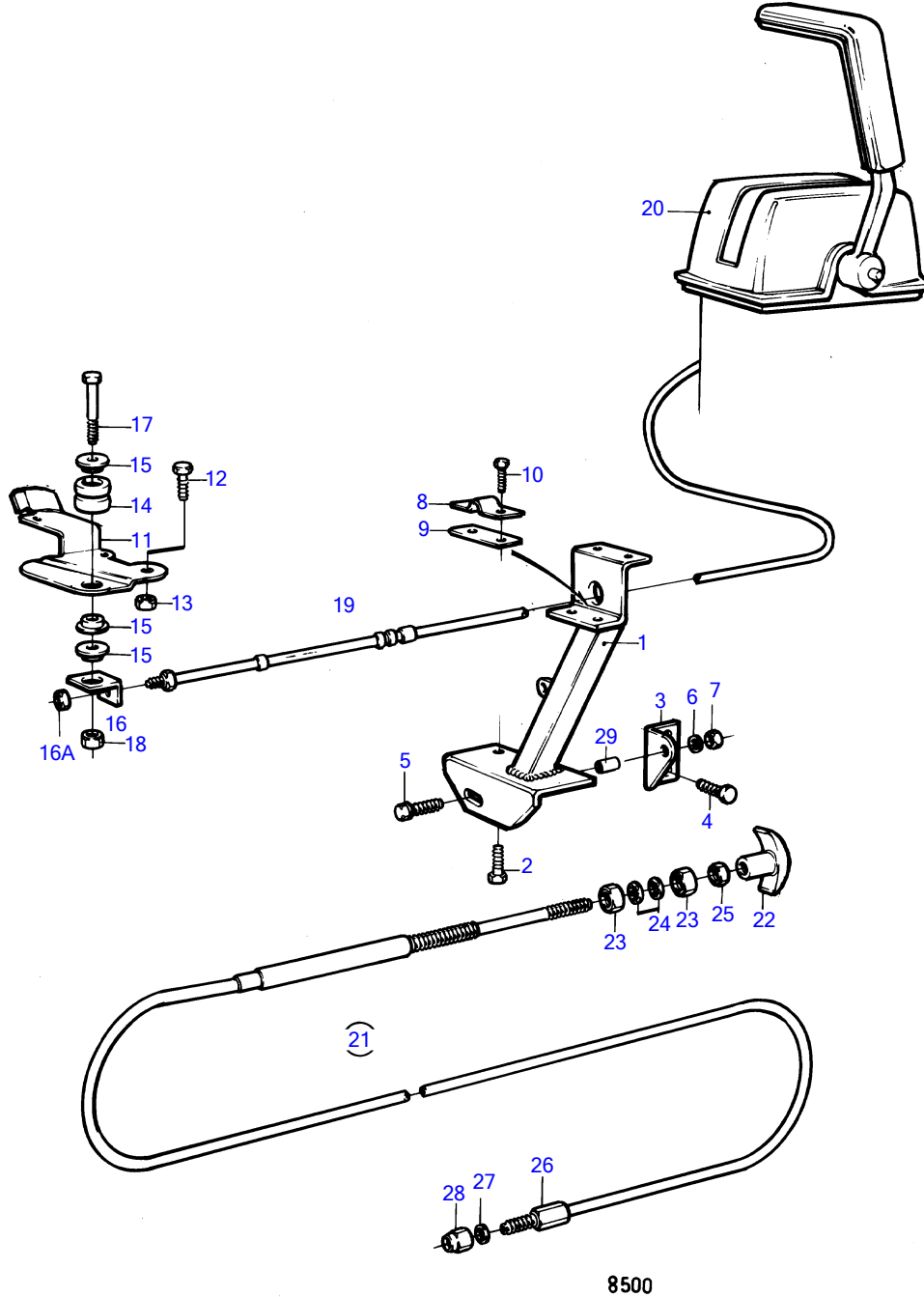


TMD41A



TMD41A

REF	PART NO.	QTY	DESCRIPTION	NOTES
1	858553	1	Bracket	Repl by 838783
	838783	1	Bracket	
2	946471	1	Flange screw	L=16mm
	946441	1	Flange screw	L=20mm
3	838753	1	Bracket	
4	946440	2	Flange screw	
5	947542	1	Flange screw	
6	191172	1	Washer	
7	948645	1	Flange lock nut	
8	21471054	1	Bracket	
9	819068	1	Washer	
10	956079	2	Cross recessed screw	
11	(858261)	1	Lever	Obsolete part
12	946544	1	Flange screw	
13	949278	1	Flange lock nut	
14	843109	1	Bushing	
15	843105	3	Spacer washer	
16	843107	1	Anchorage	
16A	951674	1	Lock nut	
17	947542	1	Flange screw	
18	949278	1	Flange lock nut	
19		1	control cable	See group 9
20		1	control	See group 9
21	(818478)	1	Push pull control	L=3300mm, Obsolete part
	(818470)	1	Push pull control	L=6900mm, Obsolete part
22	(829241)	1	• Handle	Obsolete part
23	955857	2	• Hexagon nut	
24	955950	2	• Toothed washer	
25	955844	1	• Hexagon nut	
26	829070	1	Cable lock	
27	955894	2	Washer	
28	(950363)	1	Lock nut	Obsolete part
29		1	Spacer sleeve	