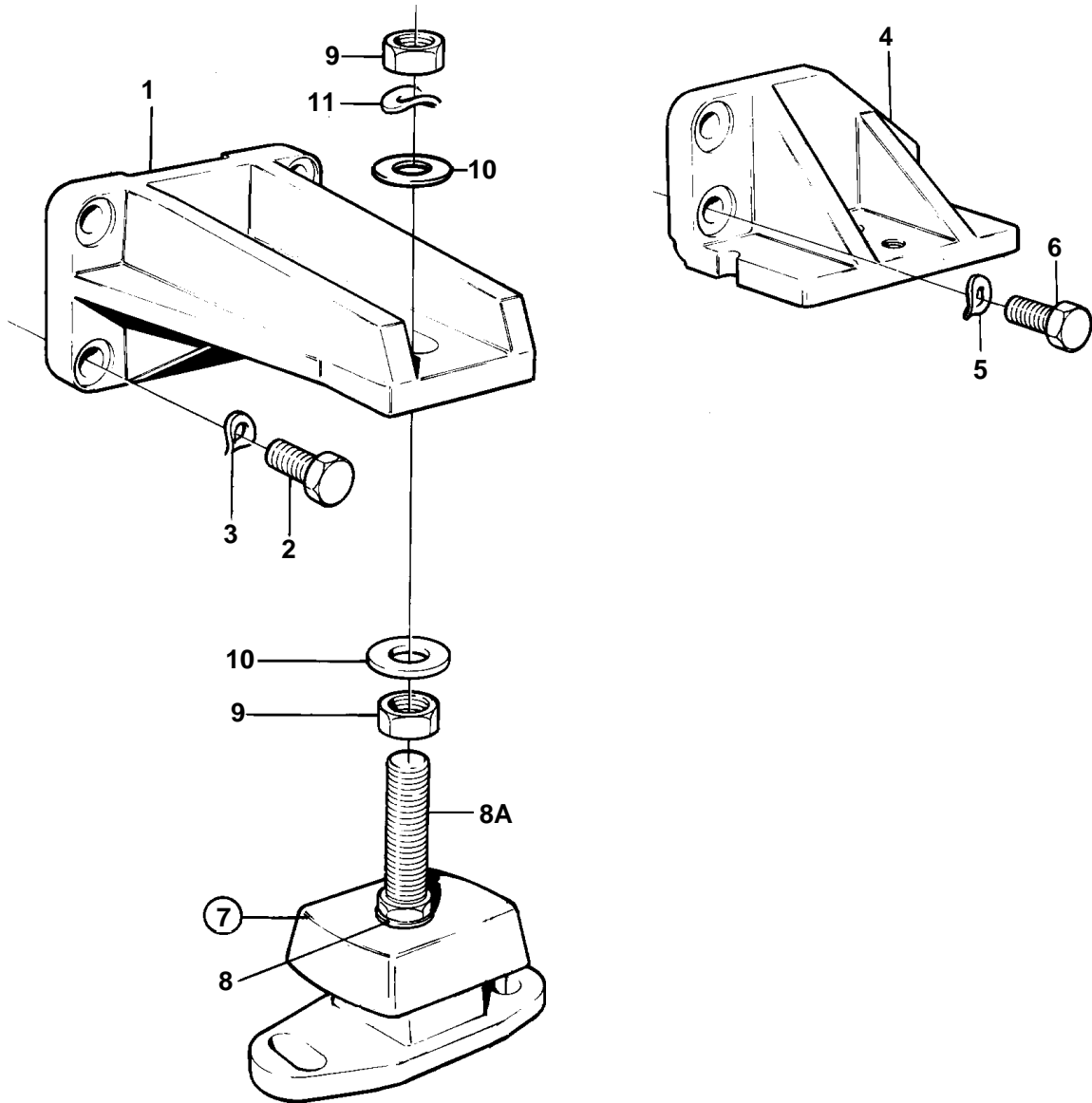


TAMD31D



11388

TAMD31D

REF	PART NO.	QTY	DESCRIPTION	NOTES
1	860953	2	Engine bracket	With hole for M18 adjusting bolt.
2	965192	8	Flange screw	L=40mm
3	940280	8	Spring washer	
4	860952	1	Engine bracket	P, REAR. With hole for M18 adjusting bolt.
	860954	1	Engine bracket	S.B, REAR. With hole for M18 adjusting bolt.
5	940280	4	Spring washer	
	955897	2	Washer	
6	966343	3	Screw	L=35mm, S.B.
	966343	1	Screw	L=35mm, P
	965226	2	Flange screw	L=45mm, P
7	861302	4	Rubber cushion	
8	955900	4	· Washer	
8A	860950	4	· Adjuster screw	M18
9	955806	8	Nut	
10	955901	4	Washer	D=34mm
	978991	4	Washer	D=40mm
11	941913	4	Spring washer	