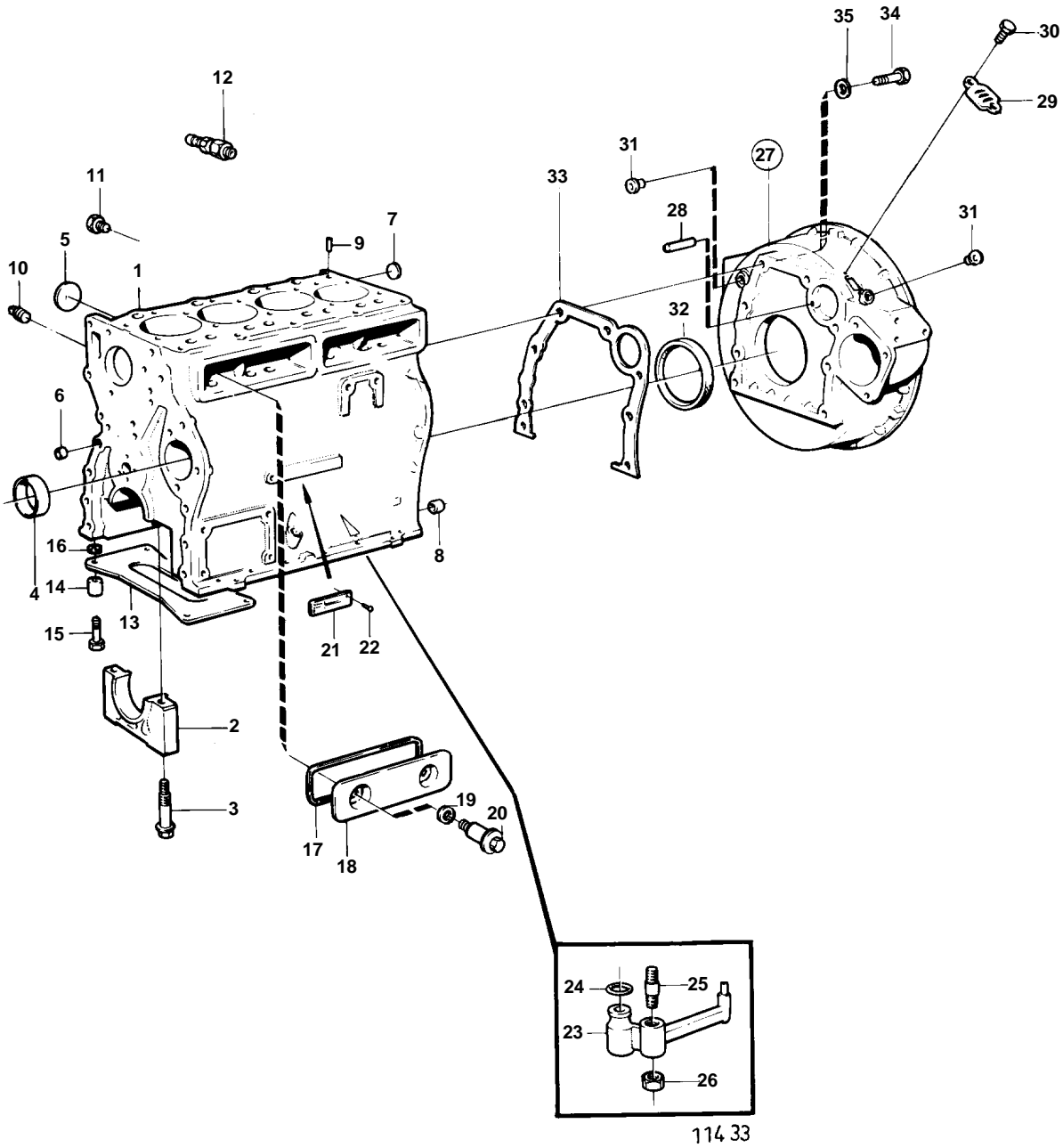


TMD31D, TAMD31D, AD31D, AD31XD



TMD31D, TAMD31D, AD31D, AD31XD

REF	PART NO.	QTY	DESCRIPTION	NOTES
1	861015	1	Cylinder block	
2		5	· Main bearing cap	
3	861005	10	· Flange screw	
4	1542067	5	· Bushing	
5	463905	2	· Expansion plug	
6	955083	4	· Cap plug	
7	1542263	1	· Expansion plug	
8	415311	3	· Sleeve	
9	946402	2	· Pin	
10	479977	2	Plug	(952077)
11	479979	2	Plug	(191026)
12	947893	1	Drain cock	
13		1	Plate	
14	1545160	4	Spacer sleeve	
15	965187	4	Screw	
16	1545204	4	Spacer sleeve	
17	1542052	2	Rubber seal	
18	1542050	2	Inspection lid	
19	469846	4	Sealing ring	
20	859447	4	Shoulder screw	
21		1	Sign	
22	950885	2	Rivet	
23	1542320	4	Oil jet	
24	955981	4	O-ring	
25	1542380	4	Stud	
26	946035	4	Lock nut	
27	860690	1	Flywheel housing	
28	404069	1	· Setting indicator	
29	407092	1	· Cover	
30	965175	2	· Screw	
31	860926	2	· Plug	
32	860971	1	Sealing ring	
33	829487	1	Gasket	
34	965185	6	Flange screw	L=40mm
	965220	2	Flange screw	L=45mm
35	941908	8	Spring washer	