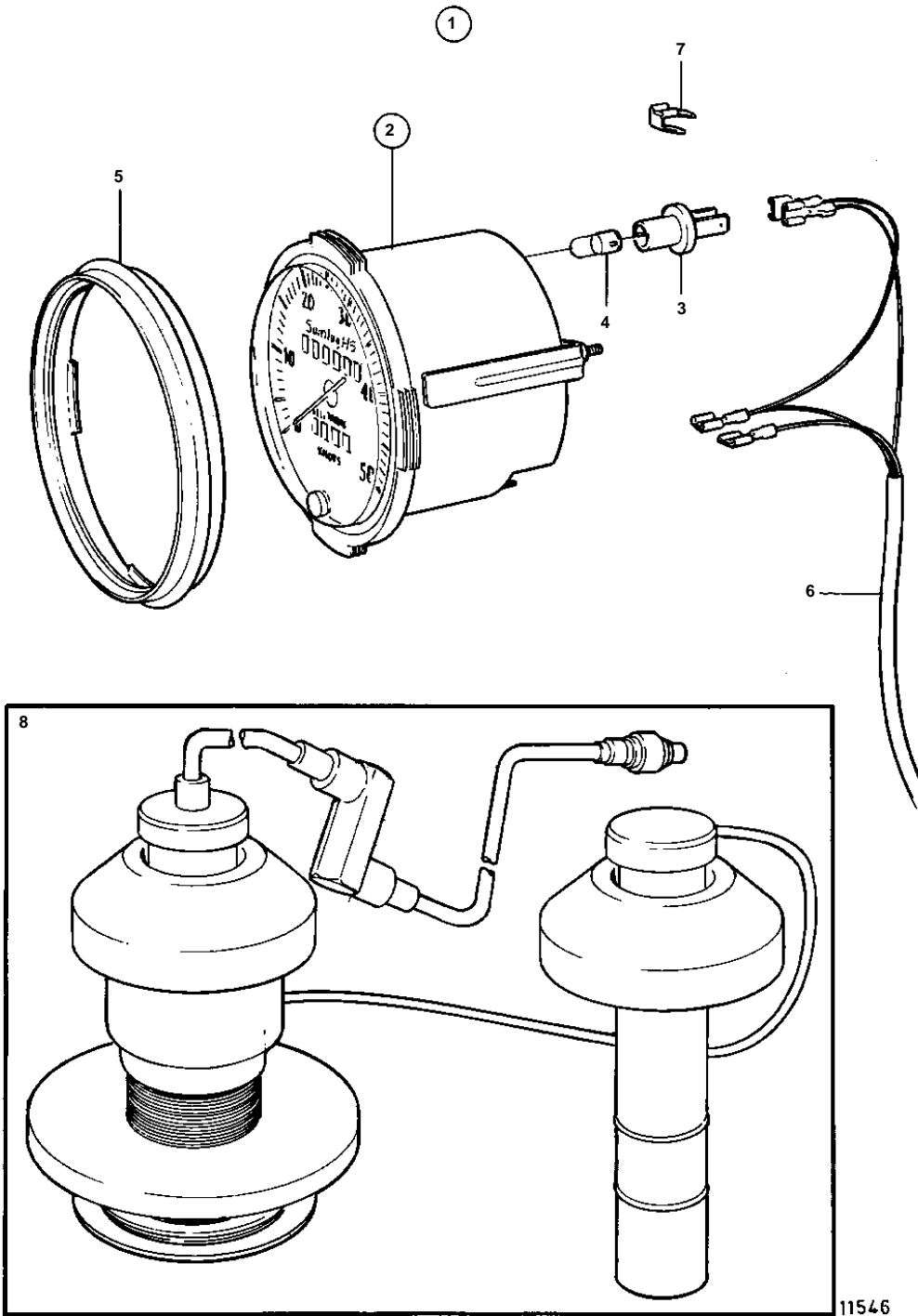


COMMON



COMMON

REF	PART NO.	QTY	DESCRIPTION
1		1	Electronic log kit
2		1	· Electronic log
3	808175	1	· · Bulb socket
4	19923	1	· · Bulb
5	856805	1	· Front ring
6		1	· Cable kit
7	943950	1	· Cable terminal
8		1	· Connector kit

