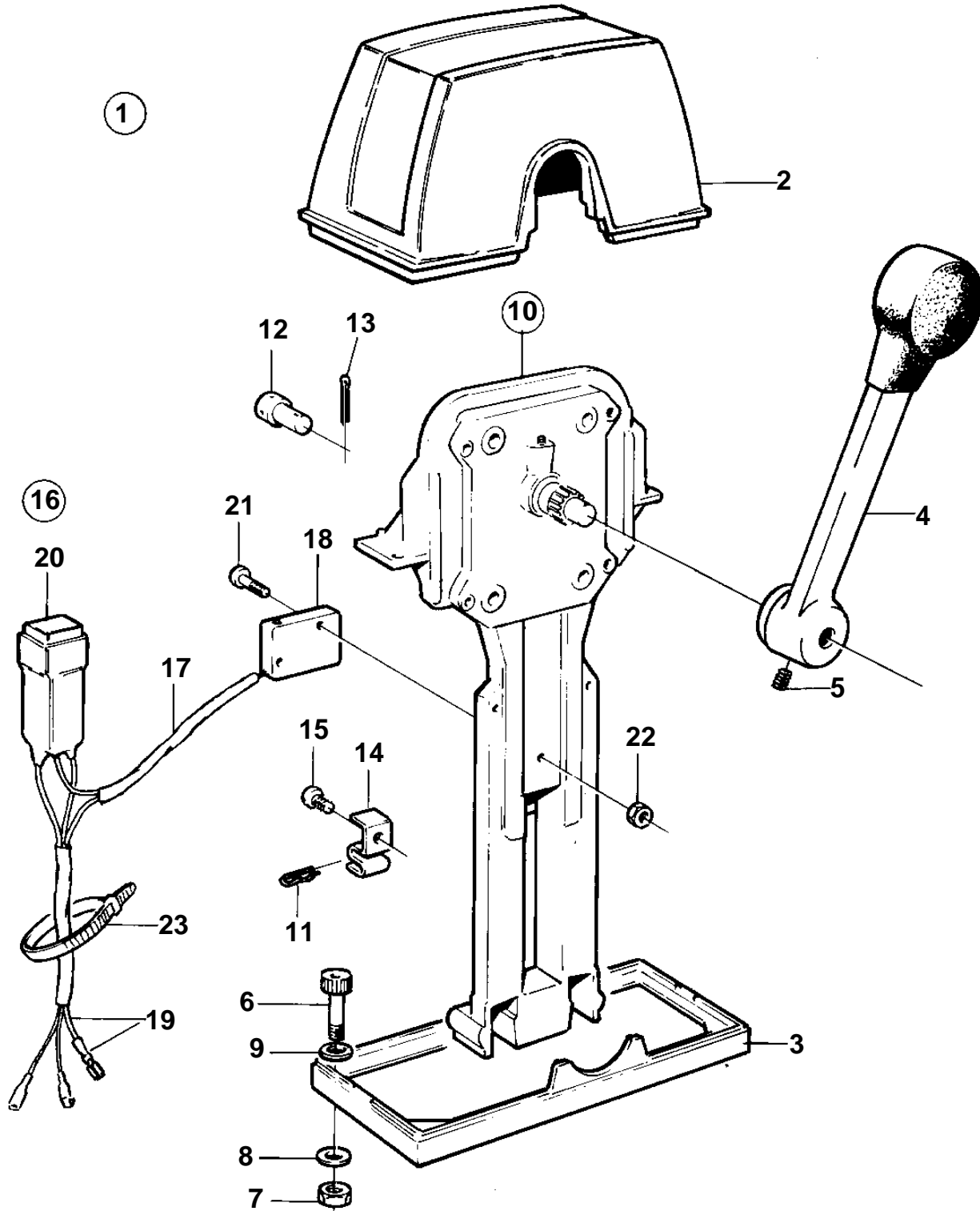


COMMON



8862

## COMMON

REF	PART NO.	QTY	DESCRIPTION	SEE SEC.	NOTES
1	1140022	1	Mounting kit		
2		1	· Cover		(839472)
3	839474	1	· Plate		
4	839521	1	· Lever		
5	839693	1	· Lock screw		
6	947671	4	· Allen head screw		
7	955780	4	· Nut		
8	960138	4	· Washer		
9	940090	2	· Washer		
10	851600	1	Control		
11	852924	1	· Clip		
12	839638	2	· Cube		
13	17253	2	· Cotter pin		
14	853423	1	· Retainer		
15	839664	1	· Screw		
16	855352	1	Neutral posit contac		
17	839619	1	· Cable kit		
18	850200	1	· · Switch		
19		X	· · Cables and terminals	124	SEE GROUP 30
20	876037	1	· Relay kit		
21	946177	2	· Screw		
22	947536	2	· Nut		
23	948210	X	· Strip clamp		