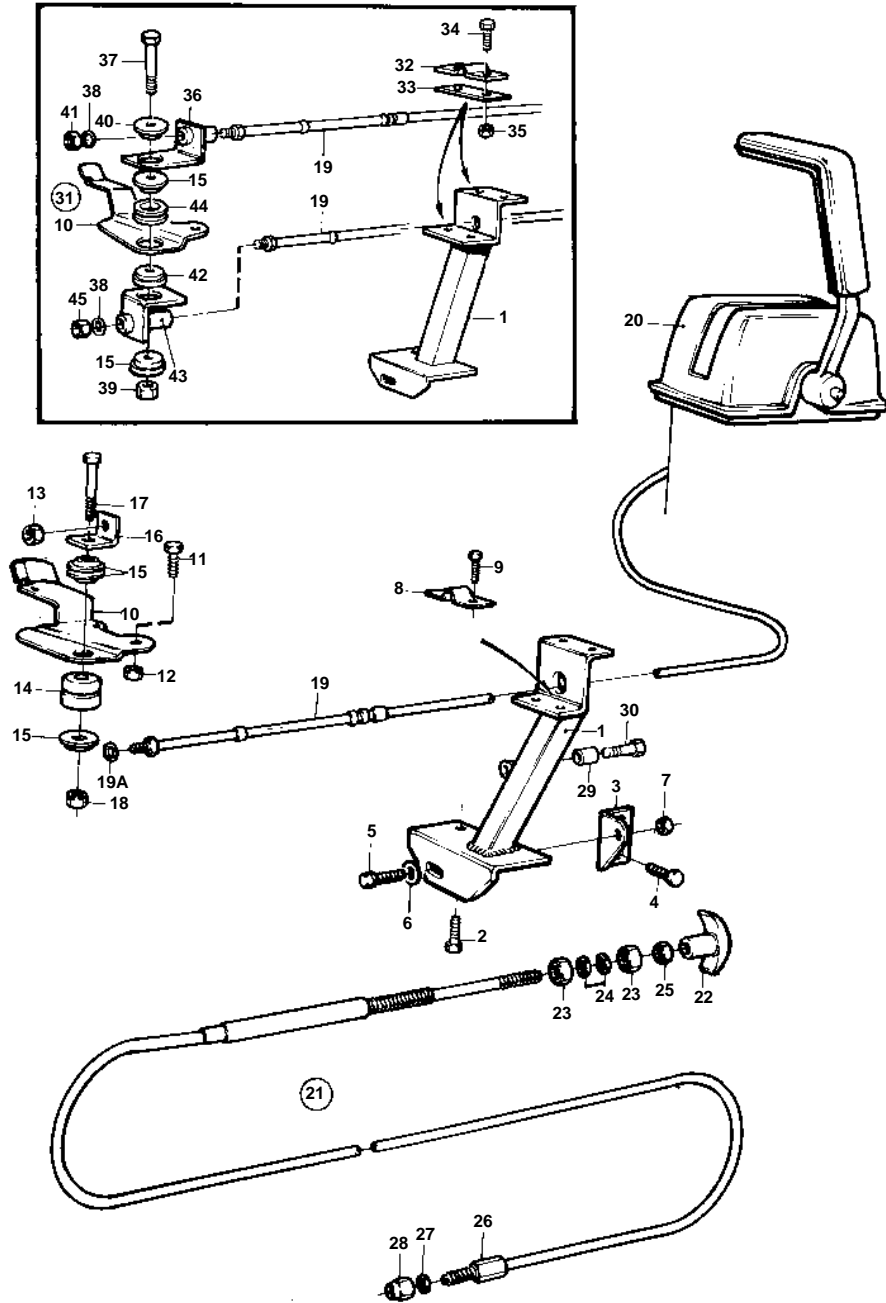


TMD31D, TAMD31D, AD31D, AD31XD



15585

TMD31D, TAMD31D, AD31D, AD31XD

REF	PART NO.	QTY	DESCRIPTION	SEE SEC.	NOTES
1	858552	1	Bracket		
2	946471	1	Screw		L=16mm
	946441	1	Screw		L=20mm
3	838753	1	Bracket		
4	946440	2	Flange screw		
5	945444	1	Flange screw		
6	191172	1	Washer		
7	948645	1	Lock nut		
8	819067	1	Brace		
9	956078	2	Screw		
10	858261	1	Lever		
11	946544	1	Flange screw		
12	949278	1	Lock nut		
13	951674	1	Lock nut		
14	843109	1	Bushing		
15	843105	3	Spacer washer		
16	843107	1	Anchorage		
17	955274	1	Screw		
18	955278	1	Screw		
19		1	Control cable	231	
19A	955971	1	O-ring		
20		1	Control		
21	818478	1	Control		L=3,3m
	818470	1	Control cable		L=6,9m
22	829241	1	· Handle		
23	955857	2	· Nut		
24	955950	2	· Lock washer		
25	955844	1	· Nut		
26	829070	1	Cable lock		
27	955894	2	Washer		
28	950363	1	Nut		
29		1	Spacer sleeve		
30	947542	1	Screw		
31	861221	1	Speed control kit		For double steering positions.
32	819067	1	· Brace		
33	819068	1	· Washer		
34	956078	2	· Screw		
35	951674	2	· Lock nut		
36	861215	1	· Bracket		
37	955275	1	· Screw		
38	955971	2	· O-ring		
39	946035	1	· Lock nut		
40	843105	1	· Spacer washer		
41	951674	1	· Lock nut		
42	843105	3	· Spacer washer		
43	861214	1	· Bracket		
44	843109	1	· Bushing		
45	951674	1	· Lock nut		