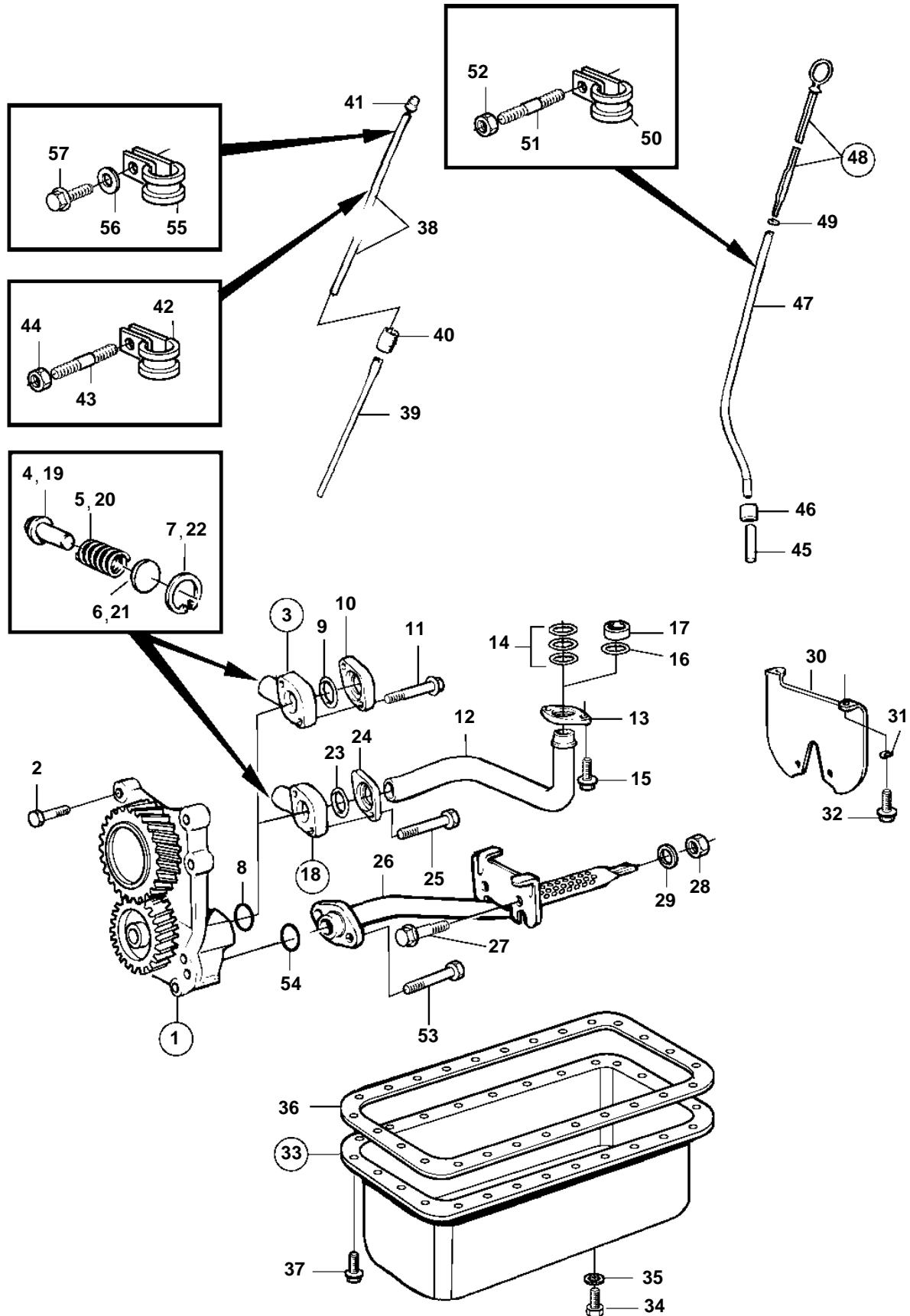


TAMD31P-A, TAMD31L-A, TAMD31M-A, TAMD31S-A



## TAMD31P-A, TAMD31L-A, TAMD31M-A, TAMD31S-A

| REF | PART NO. | QTY | DESCRIPTION         | SEE SEC.  | NOTES                       |
|-----|----------|-----|---------------------|-----------|-----------------------------|
| 1   | 860721   | 1   | Oil pump            |           |                             |
|     |          |     |                     | 528       |                             |
| 2   | 948217   | 4   | Flange screw        |           |                             |
| 3   |          | 1   | Reducing valve      |           | REPL BY 3581308             |
| 4   | 471115   | 1   | · Reducing valve    |           |                             |
| 5   | 1542257  | 1   | · Spring            |           |                             |
| 6   | 948343   | 1   | · Washer            |           |                             |
| 7   | 914506   | 1   | · Lock ring         |           |                             |
| 8   | 469482   | 1   | O-ring              |           |                             |
| 9   | 1545271  | 1   | Sealing ring        |           | EARLY TYPE                  |
| 10  |          | 1   | Flange              |           | TH=15mm, REPL BY 3581206    |
| 11  | 965183   | 2   | Flange screw        |           | L=90mm                      |
| 12  | 860821   | 1   | Tube                |           |                             |
| 13  | 1542248  | 1   | Flange              |           |                             |
| 14  |          | 3   | Sealing ring        |           | EARLY TYPE                  |
| 15  | 946173   | 2   | Flange screw        |           |                             |
| 16  | 976039   | 1   | O-ring              |           | LATE TYPE                   |
| 17  | 471956   | 1   | Sealing ring        |           | LATE TYPE                   |
| 18  | 3581308  | 1   | Reducing valve      |           |                             |
|     |          |     | Bulletin 44-32      | 44-32-EN  | Reduction Valve D31, 41, 42 |
|     |          |     | Bulletin 44-32A     | 44-32A-EN | Reduction Valve D31, 41, 42 |
| 19  | 471115   | 1   | · Reducing valve    |           |                             |
| 20  | 1542257  | 1   | · Spring            |           |                             |
| 21  | 948343   | 1   | · Washer            |           |                             |
| 22  | 914506   | 1   | · Lock ring         |           |                             |
| 23  | 976039   | 1   | O-ring              |           |                             |
| 24  | 3581206  | 1   | Flange              |           | TH=8mm                      |
| 25  | 965184   | 2   | Screw               |           | L=100mm                     |
| 26  | 861321   | 1   | Suction pipe        |           |                             |
| 27  | 946173   | 2   | Flange screw        |           |                             |
| 28  | 948645   | 2   | Lock nut            |           |                             |
| 29  | 976944   | 2   | Washer              |           |                             |
| 30  | 859587   | 1   | Baffle plate        |           |                             |
| 31  | 942385   | 2   | Disc spring         |           |                             |
| 32  | 946440   | 2   | Flange screw        |           |                             |
| 33  | 3583865  | 1   | Oil pan             |           | (861152)                    |
| 34  | 948187   | 1   | Plug                |           | EARLY TYPE                  |
| 35  | 18818    | 1   | Gasket              |           | EARLY TYPE                  |
| 36  | 861250   | 1   | Gasket              |           |                             |
| 37  | 946440   | 26  | Flange screw        |           |                             |
| 38  | 861099   | 1   | Tube                |           |                             |
| 39  | 846007   | 1   | Oil scavenging pipe |           |                             |
| 40  | 843533   | 1   | Rubber hose         |           |                             |
| 41  | 943585   | 1   | Protecting plug     |           |                             |
| 42  | 949746   | 1   | Clamp               |           |                             |
| 43  |          | 1   | Stud                |           | SEE GROUP 25                |
| 44  |          | 1   | Nut                 |           | SEE GROUP 25                |
| 45  | 843692   | 1   | Tube                |           |                             |
| 46  | 843533   | 1   | Rubber hose         |           |                             |
| 47  | 861099   | 1   | Tube                |           |                             |
| 48  | 861087   | 1   | Oil dipstick        |           |                             |
| 49  | 960155   | 1   | · O-ring            |           |                             |
| 50  | 949746   | 1   | Clamp               |           |                             |
| 51  | 984130   | 1   | Stud                |           |                             |
| 52  | 945408   | 1   | Flange nut          |           |                             |
| 53  | 965217   | 2   | Flange screw        |           |                             |
| 54  | 469483   | 2   | Sealing ring        |           |                             |
| 55  | 949746   | 1   | Clamp               |           |                             |
| 56  | 955893   | 1   | Washer              |           |                             |
| 57  | 948746   | 1   | Flange screw        |           | (968855)                    |