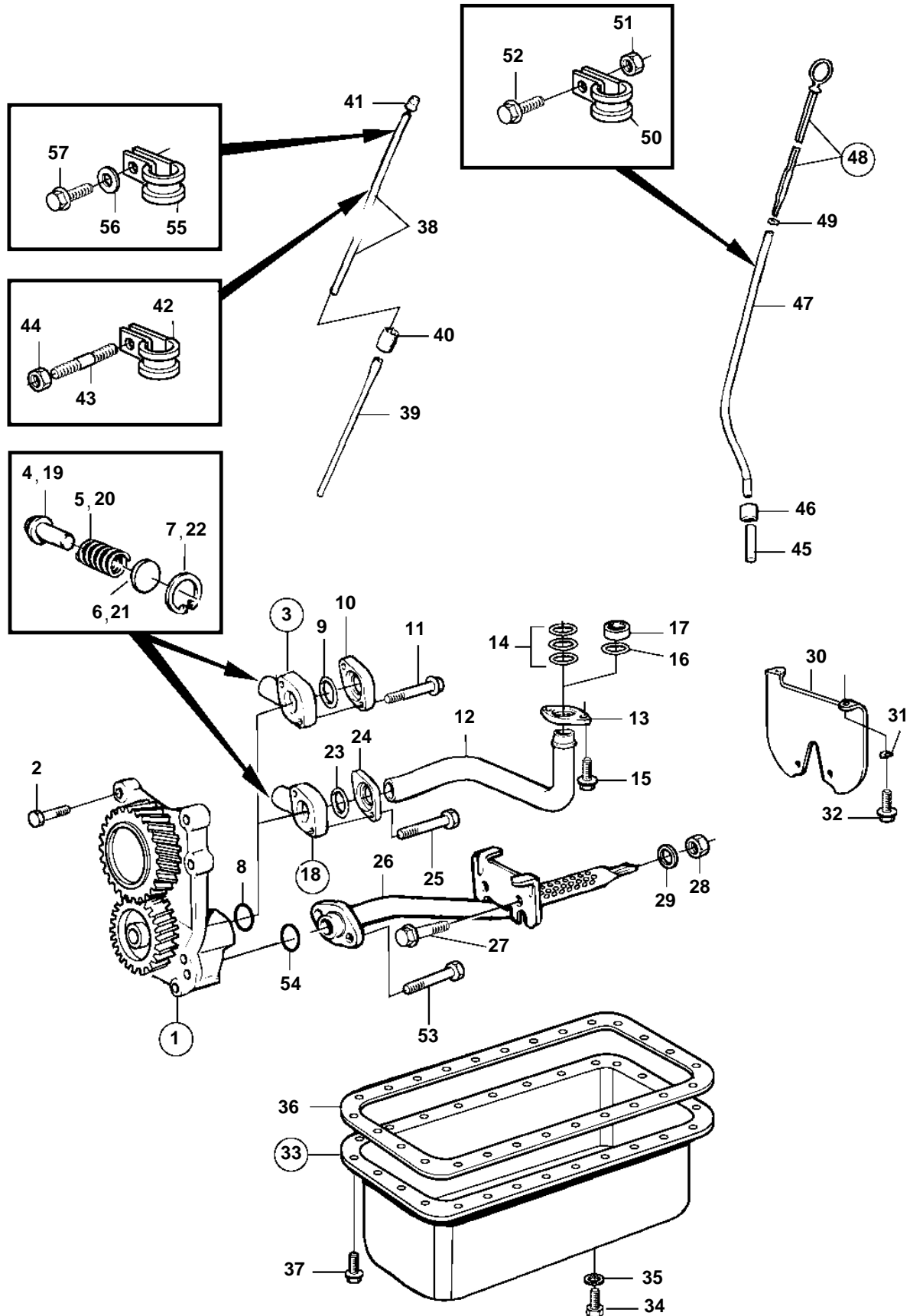


TMD31L-A



22745

TMD31L-A

REF	PART NO.	QTY	DESCRIPTION	SEE SEC.	NOTES
1	860721	1	Oil pump		
				528	
2	948217	4	Flange screw		
3		1	Reducing valve		REPL BY 3581308
4	471115	1	· Reducing valve		
5	1542257	1	· Spring		
6	948343	1	· Washer		
7	914506	1	· Lock ring		
8	469482	1	O-ring		
9	1545271	1	Sealing ring		EARLY TYPE
10		1	Flange		TH=15mm, REPL BY 3581206
11	965184	2	Screw		L=100mm
12	860821	1	Tube		
13	1542248	1	Flange		
14		3	Sealing ring		EARLY TYPE
15	946173	2	Flange screw		
16	976039	1	O-ring		LATE TYPE
17	471956	1	Sealing ring		LATE TYPE
18	3581308	1	Reducing valve		
			Bulletin 44-32	44-32-EN	Reduction Valve D31, 41, 42
			Bulletin 44-32A	44-32A-EN	Reduction Valve D31, 41, 42
19	471115	1	· Reducing valve		
20	1542257	1	· Spring		
21	948343	1	· Washer		
22	914506	1	· Lock ring		
23	976039	1	O-ring		
24	3581206	1	Flange		TH=8mm
25	965183	2	Flange screw		L=90mm
26	861321	1	Suction pipe		
27	946173	2	Flange screw		
28	948645	2	Lock nut		
29	976944	2	Washer		
30	859587	1	Baffle plate		
31	942385	2	Disc spring		
32	946440	2	Flange screw		
33	3583865	1	Oil pan		(861152)
34	948187	1	Plug		EARLY TYPE
35	18818	1	Gasket		EARLY TYPE
36	861250	1	Gasket		
37	946440	26	Flange screw		
38	861099	1	Tube		
39	846007	1	Oil scavenging pipe		
40	843533	1	Rubber hose		
41	943585	1	Protecting plug		
42	949746	1	Clamp		
43		1	Stud		SEE GROUP 25
44		1	Nut		SEE GROUP 25
45	843692	1	Tube		
46	843533	1	Rubber hose		
47	861099	1	Tube		
48	861087	1	Oil dipstick		
49	960155	1	O-ring		
50	949746	1	Clamp		
51	855314	1	Nut		
52	946440	1	Flange screw		
53	965217	2	Flange screw		
54	469483	2	Sealing ring		
55	949746	1	Clamp		
56	955893	1	Washer		
57	948746	1	Flange screw		(968855)