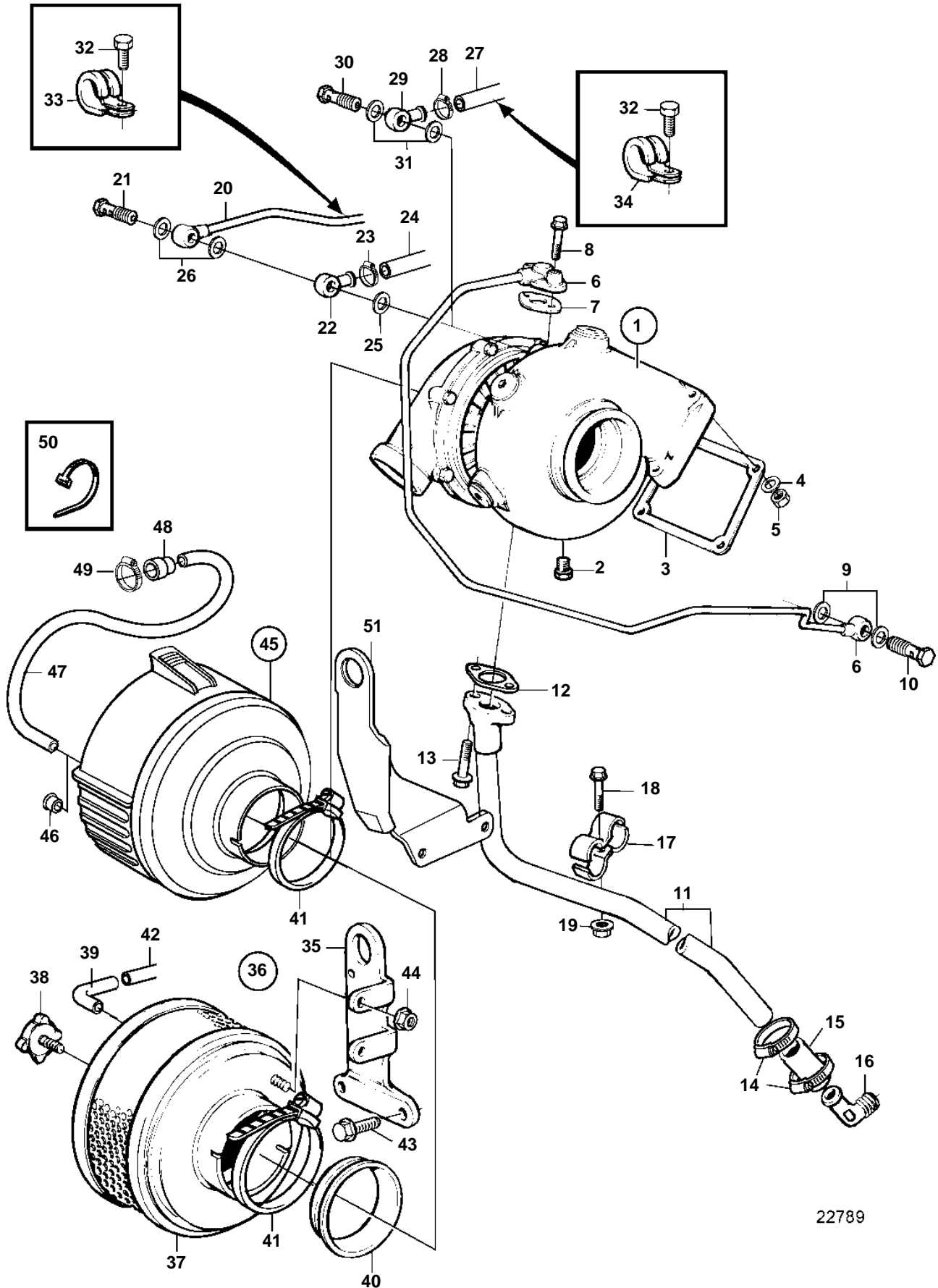


D41L-A, AD41P-A, AD41L-A



22789

D41L-A, AD41P-A, AD41L-A

REF	PART NO.	QTY	DESCRIPTION	SEE SEC.	NOTES
1	861260	1	Turbo		
	3802070	1	Turbocharger, exch		Exchange unit
				1697	
2	861551	1	Plug		
3	3582676	1	Gasket		
4	955895	4	Washer		
5	940183	4	Nut		
6	838869	1	Oil feed pipe		
7	420641	1	Gasket		
8	945444	1	Flange screw		L=25mm
	946671	1	Flange screw		L=30mm
9	969011	2	Gasket		
10	25167	1	Hollow screw		
11	838820	1	Oil return pipe		
12	860105	1	Gasket		
13	945444	2	Flange screw		
14	943474	2	Hose clamp		
15	466328	1	Rubber hose		
16	983105	1	Elbow nipple		
17	820851	2	Clamp		
18	946544	1	Flange screw		L=16mm
19	945407	1	Flange nut		
20	860215	1	Air vent hose		Turbo-thermostat housing.. For earlier version of expansion tank.
21	947975	1	Hollow screw		M12
22	858750	1	Banjo nipple		
23	945652	1	Hose clamp		
24	942700	X	Hose		Expansion tank-Turbo.. For earlier version of expansion tank.
25	11994	1	Gasket		
26	11994	2	Gasket		
27	942700	X	Hose		L=580mm. Expansion tank-Turbo.. For later version of expansion tank.
28	945652	1	Hose clamp		
29	858750	1	Banjo nipple		
30	969299	1	Hollow screw		
31	11994	2	Gasket		
32	967949	3	Screw		
33	952624	2	Clamp		
34	952627	1	Clamp		
35	838829	1	Bracket		EARLY TYPE
36	861434	1	Air filter		REPL BY 3582367
			Bulletin 44-47	44-47-EN	New Air Filter for 31, 41 and TAMD42WJ Engines
37	858488	1	· Filter insert		
38	859729	1	· Knob		
39	861391	1	· Rubber sleeve		
40	838855	1	Sealing ring		
41	943481	1	Hose clamp		
42	946234	X	Pipe		L=380mm
43	946329	2	Flange screw		EARLY TYPE
44	945407	2	Flange nut		EARLY TYPE
45	3582367	1	Air filter kit		
			Bulletin 44-47	44-47-EN	New Air Filter for 31, 41 and TAMD42WJ Engines
46	940285	1	· Plastic plug		
47		X	· Tube		L=670mm
48	861114	1	· Rubber sleeve		
49	943472	1	· Hose clamp		
50	948211	1	· Strip clamp		
51	860419	1	Lifting eye		LATER PROD